

# Lumos Hawk 100F

## ➤ Small But Powerful Fresnel Light

- 600W Tungsten Output
- Hybrid Cooling System
- CRI 97 Ra at 3200K / 95 Ra at 5600K
- 12~24V DC Free Volt
- 15°~50° Beam Angle
- Flicker Free
- Stable Dimming (0~100%)
- Standard DMX 512 / RDM
- COB Lifetime : 50,000 hours

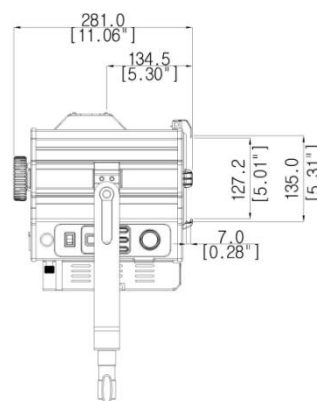
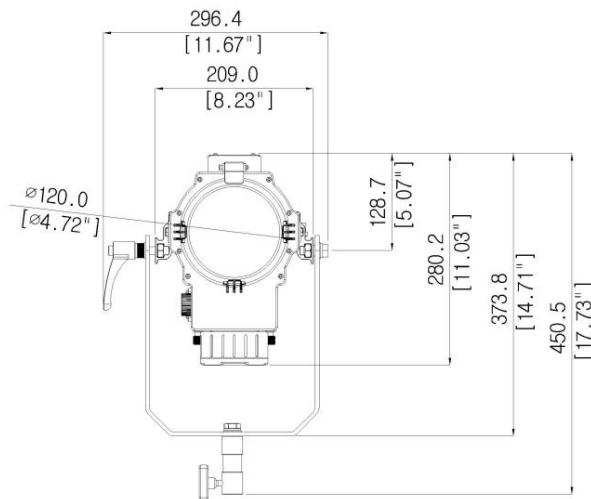


## ➤ Photometric Information of Lumos Hawk 100F

CCT	Beam angle	4 ft	8 ft	12 ft	16 ft	20 ft	1m	2m	3m	4m	5m
3200K	Spot (15°)	2,212 fc	553.1 fc	245.8 fc	138.3 fc	88.5 fc	29,500 lux	8,850 lux	3,933 lux	2,213 lux	1,416 lux
	Flood (50°)	525.0 fc	131.2 fc	58.3 fc	32.8 fc	21.0 fc	7,000 lux	2,150 lux	933 lux	525 lux	336 lux
5600K	Spot (15°)	2,625 fc	656.2 fc	291.7 fc	164.1 fc	105.0 fc	35,000 lux	10,500 lux	4,667 lux	2,625 lux	1,680 lux
	Flood (50°)	562.5 fc	140.6 fc	62.5 fc	35.2 fc	22.5 fc	7,500 lux	2,250 lux	1,000 lux	563 lux	360 lux

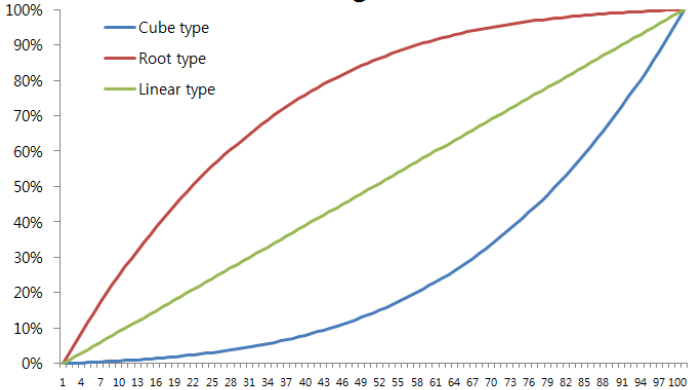
## ➤ Lumos Hawk 100F Specifications

Power Consumption	100W Nominal / 110W Maximum	
Size	W209 * H280 * L281 (mm) W8.2 * H10.1 * L11.0 (inch)	
Weight	4.5 kg / 9.9 lb	
Color Temperature	3200K or 5600K	
E. Characteristics	AC 100~240V / 50~60Hz	
Input Voltage	12~24V DC (Free volt)	
Dimming	0~100%	
Control	Manual / DMX 512	
Flicker	Flicker Free	
Fresnel Lens	120mm (4.72") PMMA Fresnel Lens	
Beam Angle	15° ~ 50°	
Cooling System	Hybrid Cooling System	
Operating Temp.	0°C ~ 45°C	
Accessory	<ul style="list-style-type: none"> <li>• 4-Leaf Barndoor</li> <li>• Pole Operated Yoke (Panning / Tilting)</li> <li>• Diffusing Filter</li> </ul>	
Color Temperature	3200K	5600K
CCT Tolerance	±150K	±150K
CRI	97 Ra	95 Ra



# Lumos Hawk 100 series

## ➤ Mode

Mode	Function																		
Dimming	<ul style="list-style-type: none"> <li>Stable Dimming (0~100%)</li> <li>Enable to customize the dimming step as each 1% or 4~5%</li> </ul>																		
CCT (MK Type only)	<ul style="list-style-type: none"> <li>2800~6500K (each 100K)</li> </ul> <table border="1" data-bbox="939 340 1382 614"> <thead> <tr> <th colspan="3">DMX CCT Control value</th> </tr> <tr> <th>CCT</th> <th>0~100%</th> <th>0~255</th> </tr> </thead> <tbody> <tr> <td>2800K</td> <td>0 %</td> <td>0</td> </tr> <tr> <td>3200K</td> <td>11~13 %</td> <td>28~34</td> </tr> <tr> <td>5600K</td> <td>77~79 %</td> <td>196~202</td> </tr> <tr> <td>6500K</td> <td>100 %</td> <td>255</td> </tr> </tbody> </table>	DMX CCT Control value			CCT	0~100%	0~255	2800K	0 %	0	3200K	11~13 %	28~34	5600K	77~79 %	196~202	6500K	100 %	255
DMX CCT Control value																			
CCT	0~100%	0~255																	
2800K	0 %	0																	
3200K	11~13 %	28~34																	
5600K	77~79 %	196~202																	
6500K	100 %	255																	
DMX Address	<ul style="list-style-type: none"> <li>Change DMX address (1~512)</li> <li>Standard DMX 512</li> <li>F type DMX mode using 1 channel (Ch.1 – Dimming)</li> <li>MK type DMX mode using 2 Channel (Ch. 1 – Dimming / Ch.2 – CCT)</li> <li>Compatibility with various DMX Controllers</li> <li>Firmware available for most DMX Controllers</li> </ul>																		
LCD Back Light	<ul style="list-style-type: none"> <li>On</li> <li>Off after 10 sec.</li> </ul>																		
RDM State	<ul style="list-style-type: none"> <li>On</li> <li>Off</li> </ul>																		
Dimming curve	<ul style="list-style-type: none"> <li>Customized dimming steps are available</li> <li>3-way Dimming curve select to mode button</li> <li>➤ Linear type : Normal increase of lighting intensity</li> <li>➤ Cube type : Detailed control in Low dimming area (0~50%)</li> <li>➤ Root type : Detailed control in high dimming area (50~100%)</li> </ul> <p style="text-align: center;"><b>Dimming Curve</b></p> 																		
Dimming Speed	<ul style="list-style-type: none"> <li>Very fast</li> <li>Fast</li> <li>Medium</li> <li>Slow</li> </ul>																		
12~24V Free volt	<ul style="list-style-type: none"> <li>Compatible with wide range of batteries.</li> <li>V-mount battery or Gold-mount battery</li> </ul>																		

# Lumos Hawk 100 series

## ➤ decibel measurements of Lumos Hawk 100 Series

Model	1m	2m	3m
Lumos Hawk 100 100W	20 dB	19 dB	18 dB

### Hybrid cooling system

The patented technology to improve air flow to cool down the heat created inside the product.

Usually the convection heat mode is at low dimming stage.

However fan will be turned on at certain dimming stage as below.

- Hawk 100 : Cube 80~100%, Linear 51~100%, Root 22~100%

## ➤ Photometric Information of Lumos Hawk 100 Series

Model	Beam angle		1m	2m	3m	4m	5m	
Lumos Hawk 100F 100W	Spot (15°)	Illumination	3200K	29,500 lux	8,850 lux	3,933 lux	2,213 lux	1,416 lux
			5600K	35,000 lux	10,500 lux	4,667 lux	2,625 lux	1,680 lux
		Beam diameter		0.38 m	0.65 m	0.91 m	1.17 m	1.44 m
	Flood (50°)	Illumination	3200K	7,000 lux	2,150 lux	933 lux	525 lux	336 lux
			5600K	7,500 lux	2,250 lux	1,000 lux	563 lux	360 lux
		Beam diameter		1.05 m	1.99 m	2.92 m	3.85 m	4.78 m
Lumos Hawk 100MK 100W	Spot (15°)	Illumination	3200K	18,000 lux	5,400 lux	2,400 lux	1,350 lux	864 lux
			5600K	23,500 lux	7,050 lux	3,133 lux	1,763 lux	1,128 lux
		Beam diameter		0.38 m	0.65 m	0.91 m	1.17 m	1.44 m
	Flood (50°)	Illumination	3200K	4,500 lux	1,350 lux	600 lux	338 lux	216 lux
			5600K	5,800 lux	1,740 lux	773 lux	435 lux	278 lux
		Beam diameter		1.05 m	1.99 m	2.92 m	3.85 m	4.78 m