

Lumos Hawk 200MK

➤ Powerful Fresnel Light

- 1.5KW Tungsten Output
- Hybrid Cooling System
- CRI 95 Ra at 2800~6500K
- 15°~50° Beam Angle
- Flicker Free
- Stable Dimming (0~100%)
- Standard DMX 512 / RDM
- COB Lifetime : 50,000 hours

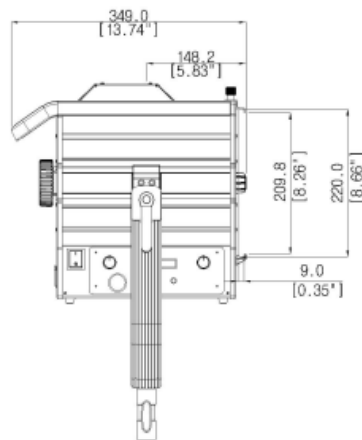
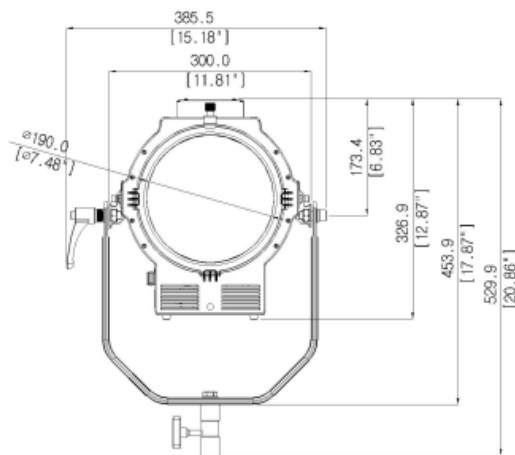


➤ Photometric Information of Lumos Hawk 200MK

CCT	Beam angle	4 ft	8 ft	12 ft	16 ft	20 ft	1m	2m	3m	4m	5m
3200K	Spot (15°)	6,468 fc	1,617 fc	718.7 fc	404.3 fc	258.7 fc	86,250 lux	25,875 lux	11,500 lux	6,469 lux	4,140 lux
	Flood (50°)	618.7 fc	154.7 fc	68.7 fc	38.7 fc	24.7 fc	8,250 lux	2,475 lux	1,100 lux	619 lux	396 lux
5600K	Spot (15°)	8,437 fc	2,109 fc	937.5 fc	527.3 fc	337.5 fc	112,500 lux	33,750 lux	15,000 lux	8,438 lux	5,400 lux
	Flood (50°)	787.5 fc	196.9 fc	87.5 fc	49.2 fc	31.5 fc	10,500 lux	3,150 lux	1,400 lux	788 lux	504 lux

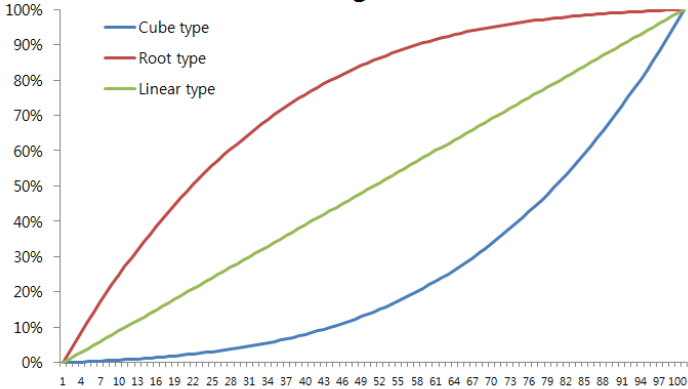
➤ Lumos Hawk 200MK Specifications

Power Consumption	200W Nominal / 230W Maximum	
Size	W300 * H327 * L349 (mm) W11.8 * H12.9 * L13.7 (inch)	
Weight	8.5 kg / 18.7 lb	
Color Temperature	2800~6500K	
E. Characteristics	AC 100~240V / 50~60Hz	
Dimming	0~100%	
Control	Manual / DMX 512 / RDM	
Software Update	USB	
Flicker	Flicker Free	
Fresnel Lens	190mm (7.47") PMMA Fresnel Lens	
Beam Angle	15° ~ 50°	
Cooling System	Hybrid Cooling System	
Operating Temp.	0°C ~ 45°C	
Accessory	<ul style="list-style-type: none"> • 4-Leaf Barndoor • Pole Operated Yoke (Panning / Tilting / Beam angle) • Diffusing Filter 	
Color Temperature	2800K	6500K
CCT Tolerance	±150K	±150K
CRI	96 Ra	95 Ra



Lumos Hawk 200 series

➤ Mode

Mode	Function																		
Dimming	<ul style="list-style-type: none"> Stable Dimming (0~100%) Enable to customize the dimming step as each 1% or 4~5% 																		
CCT (MK Type only)	<ul style="list-style-type: none"> 2800~6500K (each 100K) <table border="1" data-bbox="935 353 1379 627"> <thead> <tr> <th colspan="3">DMX CCT Control value</th> </tr> <tr> <th>CCT</th> <th>0~100%</th> <th>0~255</th> </tr> </thead> <tbody> <tr> <td>2800K</td> <td>0 %</td> <td>0</td> </tr> <tr> <td>3200K</td> <td>11~13 %</td> <td>28~34</td> </tr> <tr> <td>5600K</td> <td>77~79 %</td> <td>196~202</td> </tr> <tr> <td>6500K</td> <td>100 %</td> <td>255</td> </tr> </tbody> </table>	DMX CCT Control value			CCT	0~100%	0~255	2800K	0 %	0	3200K	11~13 %	28~34	5600K	77~79 %	196~202	6500K	100 %	255
DMX CCT Control value																			
CCT	0~100%	0~255																	
2800K	0 %	0																	
3200K	11~13 %	28~34																	
5600K	77~79 %	196~202																	
6500K	100 %	255																	
DMX Address	<ul style="list-style-type: none"> Change DMX address (1~512) Standard DMX 512 F type DMX mode using 1 channel (Ch.1 – Dimming) MK type DMX mode using 2 Channel (Ch. 1 – Dimming / Ch.2 – CCT) Compatibility with various DMX Controllers Firmware available for most DMX Controllers 																		
LCD Back Light	<ul style="list-style-type: none"> On Off after 10 sec. 																		
RDM State	<ul style="list-style-type: none"> On Off 																		
Dimming curve	<ul style="list-style-type: none"> Customized dimming steps are available 3-way Dimming curve select to mode button ➤ Linear type : Normal increase of lighting intensity ➤ Cube type : Detailed control in Low dimming area (0~50%) ➤ Root type : Detailed control in high dimming area (50~100%) <p style="text-align: center;">Dimming Curve</p> 																		
Dimming Speed	<ul style="list-style-type: none"> Very fast Fast Medium Slow 																		

Lumos Hawk 200 series

➤ decibel measurements of Lumos Hawk 200 Series

Model	1m	2m	3m
Lumos Hawk 200 200W	21 dB	19 dB	18 dB

Hybrid cooling system

The patented technology to improve air flow to cool down the heat created inside the product.

Usually the convection heat mode is at low dimming stage.

However fan will be turned on at certain dimming stage as below.

- Hawk 200 : Cube 93~100%, Linear 76~100%, Root 39~100%

➤ Photometric Information of Lumos Hawk 200 Series

Model	Beam angle		1m	2m	3m	4m	5m	
Lumos Hawk 200F 200W	Spot (15°)	Illumination	3200K	66,000 lux	19,800 lux	8,800 lux	4,950 lux	3,168 lux
			5600K	75,000 lux	22,500 lux	10,000 lux	5,625 lux	3,600 lux
		Beam diameter		0.46 m	0.73 m	1.00 m	1.27 m	1.54 m
	Flood (50°)	Illumination	3200K	7,875 lux	2,363 lux	1,050 lux	591 lux	378 lux
			5600K	9,000 lux	2,700 lux	1,200 lux	675 lux	432 lux
		Beam diameter		1.13 m	2.06 m	3.00 m	3.95 m	4.87 m
Lumos Hawk 200MK 220W	Spot (15°)	Illumination	3200K	86,250 lux	25,875 lux	11,500 lux	6,469 lux	4,140 lux
			5600K	112,500 lux	33,750 lux	15,000 lux	8,438 lux	5,400 lux
		Beam diameter		0.46 m	0.73 m	1.00 m	1.27 m	1.54 m
	Flood (50°)	Illumination	3200K	8,250 lux	2,475 lux	1,100 lux	619 lux	396 lux
			5600K	10,500 lux	3,150 lux	1,400 lux	788 lux	504 lux
		Beam diameter		1.13 m	2.06 m	3.00 m	3.95 m	4.87 m

Lumos Hawk 200 series with Pole operated yoke

➤ Lumos Hawk 200 with Pole operated yoke and Focus Pole control

Size	W364.6 * H570.1 * L353.0 (mm) / W14.36 * H22.44 * L13.90 (inch)
------	---

