

Lumos Hawk 50F

➤ Small and Quiet Fresnel Light

- 400W Tungsten output
- No fan (Convective heat transfer)
- CRI 97 Ra at 3200K / 95 Ra at 5600K
- 12~24V DC Free volt
- 15°~50° Beam angle
- Flicker free
- Stable dimming (0~100%)
- Standard DMX 512
- COB lifetime : 50,000 hours

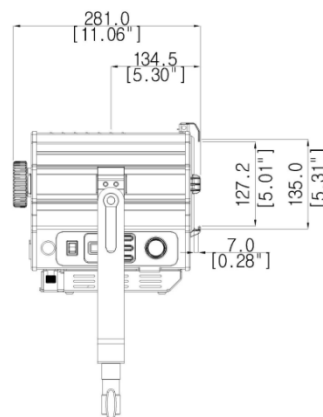
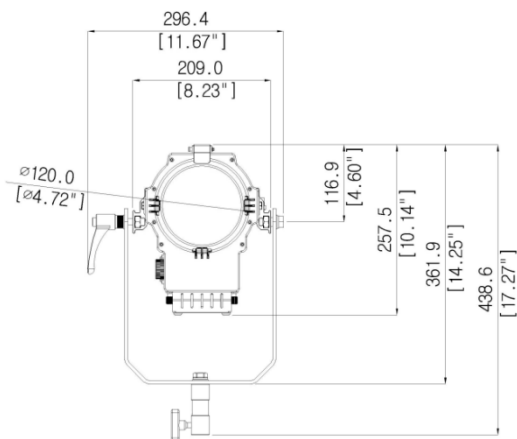


➤ Photometric Information of Lumos Hawk 50F

CCT	Beam angle	4 ft	8 ft	12 ft	16 ft	20 ft	1m	2m	3m	4m	5m
3200K	Spot (15°)	1,425 fc	356.2 fc	158.3 fc	89.0 fc	57.0 fc	19,000 lux	5,700 lux	2,533 lux	1,425 lux	912 lux
	Flood (50°)	277.5 fc	69.4 fc	30.8 fc	17.3 fc	11.1 fc	3,700 lux	1,110 lux	493 lux	278 lux	178 lux
5600K	Spot (15°)	1,530 fc	382.5 fc	170.0 fc	95.6 fc	61.2 fc	20,400 lux	6,120 lux	2,720 lux	1,530 lux	979 lux
	Flood (50°)	292.5 fc	73.1 fc	32.5 fc	18.3 fc	11.7 fc	3,900 lux	1,170 lux	520 lux	293 lux	187 lux

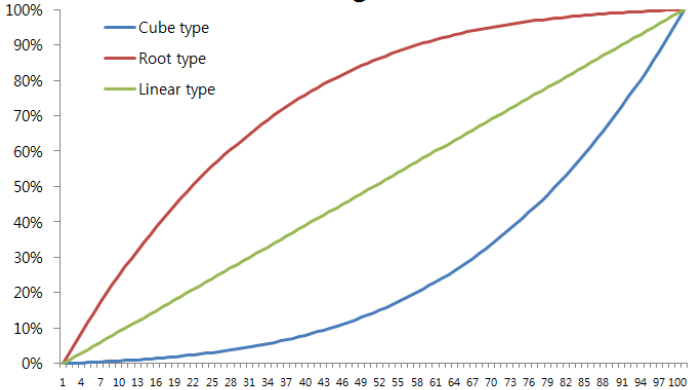
➤ Lumos Hawk 50F Specifications

Power Consumption	50W	
Size	W209 * H258 * L281 (mm) W8.2 * H10.1 * L11.0 (inch)	
Weight	4 kg / 8.8 lb	
Color Temperature	3200K or 5600K	
E. Characteristics	AC 100~240V / 50~60Hz	
Input Voltage	12~24V DC (Free volt)	
Dimming	0~100%	
Control	Manual / DMX 512	
Flicker	Flicker Free	
Fresnel lens	120mm (4.72") PMMA Fresnel lens	
Beam Angle	15° ~ 50°	
Cooling System	Natural Convection (No fan)	
Operating Temp.	0°C ~ 45°C	
Accessory	<ul style="list-style-type: none"> • 4-leaf Barndoor • Pole Operated Yoke (Panning / Tilting) • Diffusing Filter 	
Color Temperature	3200K	5600K
CCT Tolerance	±150K	±150K
CRI	97 Ra	95 Ra



Lumos Hawk 50 series

➤ Mode

Mode	Function																		
Dimming	<ul style="list-style-type: none"> Stable Dimming (0~100%) Enable to Customize the Dimming Step as each 1% or 4~5% 																		
CCT (MK Type only)	<ul style="list-style-type: none"> 2800~6500K (each 100K) <table border="1" data-bbox="939 340 1382 614"> <thead> <tr> <th colspan="3">DMX CCT Control value</th> </tr> <tr> <th>CCT</th> <th>0~100%</th> <th>0~255</th> </tr> </thead> <tbody> <tr> <td>2800K</td> <td>0 %</td> <td>0</td> </tr> <tr> <td>3200K</td> <td>11~13 %</td> <td>28~34</td> </tr> <tr> <td>5600K</td> <td>77~79 %</td> <td>196~202</td> </tr> <tr> <td>6500K</td> <td>100 %</td> <td>255</td> </tr> </tbody> </table>	DMX CCT Control value			CCT	0~100%	0~255	2800K	0 %	0	3200K	11~13 %	28~34	5600K	77~79 %	196~202	6500K	100 %	255
DMX CCT Control value																			
CCT	0~100%	0~255																	
2800K	0 %	0																	
3200K	11~13 %	28~34																	
5600K	77~79 %	196~202																	
6500K	100 %	255																	
DMX Address	<ul style="list-style-type: none"> Change DMX address (1~512) Standard DMX 512 F type DMX mode using 1 channel (Ch.1 – Dimming) MK type DMX mode using 2 Channel (Ch. 1 – Dimming / Ch.2 – CCT) Compatibility with various DMX Controllers Firmware available for most DMX Controllers 																		
LCD Back Light	<ul style="list-style-type: none"> On Off after 10 sec. 																		
RDM State	<ul style="list-style-type: none"> On Off 																		
Dimming curve	<ul style="list-style-type: none"> Customized dimming steps are available 3-way Dimming curve select to mode button ➤ Linear type : Normal increase of lighting intensity ➤ Cube type : Detailed control in Low dimming area (0~50%) ➤ Root type : Detailed control in high dimming area (50~100%) <p style="text-align: center;">Dimming Curve</p> 																		
Dimming Speed	<ul style="list-style-type: none"> Very fast Fast Medium Slow 																		
12~24V Free volt	<ul style="list-style-type: none"> Compatible with wide range of batteries. V-mount battery or Gold-mount battery 																		

Lumos Hawk 50 series

➤ Photometric information of Lumos Hawk 50 Series

Model	Beam angle			1m	2m	3m	4m	5m
Lumos Hawk 50F 50W	Spot (15°)	Illumination	3200K	19,000 lux	5,700 lux	2,533 lux	1,425 lux	912 lux
			5600K	20,400 lux	6,120 lux	2,720 lux	1,530 lux	979 lux
		Beam diameter		0.38 m	0.65 m	0.91 m	1.17 m	1.44 m
	Flood (50°)	Illumination	3200K	3,700 lux	1,110 lux	493 lux	278 lux	178 lux
			5600K	3,900 lux	1,170 lux	520 lux	293 lux	187 lux
		Beam diameter		1.05 m	1.99 m	2.92 m	3.85 m	4.78 m
Lumos Hawk 50MK 50W	Spot (15°)	Illumination	3200K	12,300 lux	3,690 lux	1,640 lux	923 lux	590 lux
			5600K	16,000 lux	4,800 lux	2,133 lux	1,200 lux	768 lux
		Beam diameter		0.38 m	0.65 m	0.91 m	1.17 m	1.44 m
	Flood (50°)	Illumination	3200K	3,000 lux	900 lux	400 lux	225 lux	144 lux
			5600K	3,700 lux	1,110 lux	493 lux	278 lux	178 lux
		Beam diameter		1.05 m	1.99 m	2.92 m	3.85 m	4.78 m