

# Lumos Hawk 300F

## ➤ Powerful as Sunlight

- 2.5KW Tungsten Output
- Hybrid Cooling System
- CRI 97 Ra at 3200K / 95 Ra at 5600K
- 15°~50° Beam Angle
- Flicker Free
- Stable Dimming (0~100%)
- Standard DMX 512 / RDM
- COB Lifetime : 50,000 hours

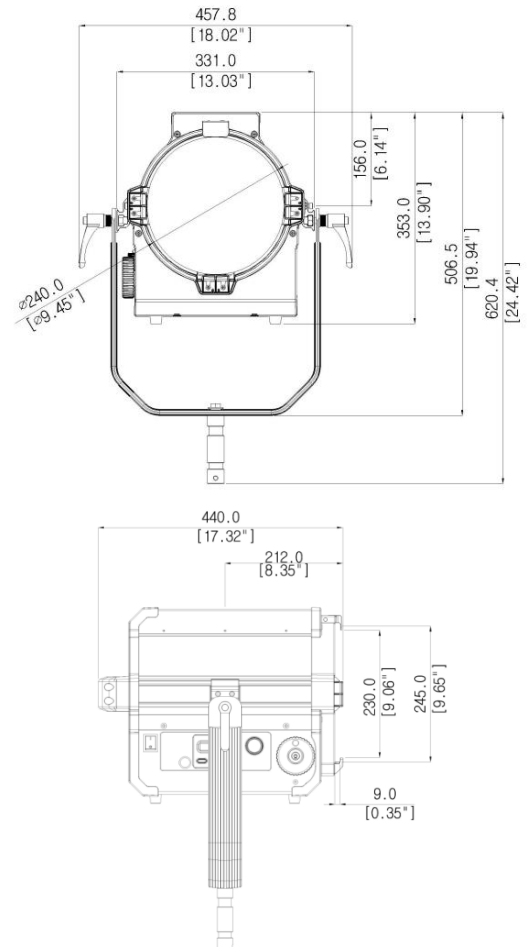


## ➤ Photometric Information of Lumos Hawk 300F

CCT	Beam angle	4 ft	8 ft	12 ft	16 ft	20 ft	1m	2m	3m	4m	5m
3200K	Spot (15°)	12,937 fc	3,234 fc	1,437 fc	808.6 fc	517.5 fc	172,500 lux	51,750 lux	23,000 lux	12,938 lux	8,280 lux
	Flood (50°)	1,237 fc	309.4 fc	137.5 fc	77.3 fc	49.5 fc	16,500 lux	4,950 lux	2,200 lux	1,238 lux	792 lux
5600K	Spot (15°)	14,118 fc	3,529 fc	1,568 fc	882.4 fc	564.7 fc	188,250 lux	56,475 lux	25,100 lux	14,119 lux	9,036 lux
	Flood (50°)	1,462 fc	365.6 fc	162.5 fc	91.4 fc	58.5 fc	19,500 lux	5,850 lux	2,600 lux	1,463 lux	936 lux

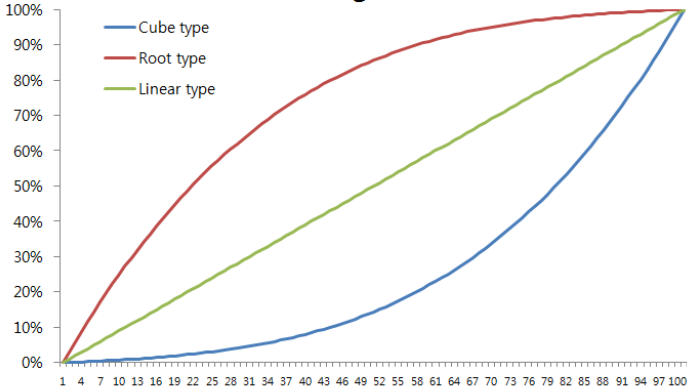
## ➤ Lumos Hawk 300F Specifications

Power Consumption	270W Nominal / 300W Maximum	
Size	W331 * H353 * L440 (mm) W13.0 * H13.9 * L17.3 (inch)	
Weight	10.0 kg / 22 lb	
Color Temperature	3200K or 5600K	
E. Characteristics	AC 100~240V / 50~60Hz	
Dimming	0~100%	
Control	Manual / DMX 512 / RDM	
Software Update	USB	
Flicker	Flicker Free	
Fresnel Lens	240mm (9.45") PC Fresnel Lens	
Beam Angle	15° ~ 50°	
Cooling System	Hybrid Cooling System	
Operating Temp.	0°C ~ 45°C	
Accessory	<ul style="list-style-type: none"> <li>• 4-Leaf Barndoor</li> <li>• Pole Operated Yoke (Panning / Tilting / Beam angle)</li> <li>• Diffusing Filter</li> </ul>	
Color Temperature	3200K	5600K
CCT Tolerance	±150K	±150K
CRI	96 Ra	95 Ra



# Lumos Hawk 300 series

## ➤ Mode

Mode	Function																		
Dimming	<ul style="list-style-type: none"> <li>Stable Dimming (0~100%)</li> <li>Enable to customize the dimming step as each 1% or 4~5%</li> </ul>																		
CCT (MK Type only)	<ul style="list-style-type: none"> <li>2800~6500K (each 100K)</li> </ul> <table border="1" data-bbox="933 353 1378 627"> <thead> <tr> <th colspan="3">DMX CCT Control value</th> </tr> <tr> <th>CCT</th> <th>0~100%</th> <th>0~255</th> </tr> </thead> <tbody> <tr> <td>2800K</td> <td>0 %</td> <td>0</td> </tr> <tr> <td>3200K</td> <td>11~13 %</td> <td>28~34</td> </tr> <tr> <td>5600K</td> <td>77~79 %</td> <td>196~202</td> </tr> <tr> <td>6500K</td> <td>100 %</td> <td>255</td> </tr> </tbody> </table>	DMX CCT Control value			CCT	0~100%	0~255	2800K	0 %	0	3200K	11~13 %	28~34	5600K	77~79 %	196~202	6500K	100 %	255
DMX CCT Control value																			
CCT	0~100%	0~255																	
2800K	0 %	0																	
3200K	11~13 %	28~34																	
5600K	77~79 %	196~202																	
6500K	100 %	255																	
DMX Address	<ul style="list-style-type: none"> <li>Change DMX address (1~512)</li> <li>Standard DMX 512</li> <li>F type DMX mode using 1 channel (Ch.1 – Dimming)</li> <li>MK type DMX mode using 2 Channel (Ch. 1 – Dimming / Ch.2 – CCT)</li> <li>Compatibility with various DMX Controllers</li> <li>Firmware available for most DMX Controllers</li> </ul>																		
LCD Back Light	<ul style="list-style-type: none"> <li>On</li> <li>Off after 10 sec.</li> </ul>																		
RDM State	<ul style="list-style-type: none"> <li>On</li> <li>Off</li> </ul>																		
Dimming curve	<ul style="list-style-type: none"> <li>Customized dimming steps are available</li> <li>3-way Dimming curve select to mode button</li> <li>➤ Linear type : Normal increase of lighting intensity</li> <li>➤ Cube type : Detailed control in Low dimming area (0~50%)</li> <li>➤ Root type : Detailed control in high dimming area (50~100%)</li> </ul> <p style="text-align: center;"><b>Dimming Curve</b></p> 																		
Dimming Speed	<ul style="list-style-type: none"> <li>Very fast</li> <li>Fast</li> <li>Medium</li> <li>Slow</li> </ul>																		

# Lumos Hawk 300 series

## ➤ decibel measurements of Lumos Hawk 300 Series

Model	1m	2m	3m
Lumos Hawk 300 : 300W	28 dB	24 dB	22 dB

### Hybrid cooling system

The patented technology to improve air flow to cool down the heat created inside the product.

Usually the convection heat mode is at low dimming stage.

However fan will be turned on at certain dimming stage as below.

- Hawk 300 : Cube 86~100%, Linear 61~100%, Root 28~100%

## ➤ Photometric Information of Lumos Hawk 300 Series

Model	Beam angle		1m	2m	3m	4m	5m	
Lumos Hawk 300F 270W	Spot (15°)	Illumination	3200K	172,500 lux	51,750 lux	23,000 lux	12,938 lux	8,280 lux
			5600K	188,250 lux	56,475 lux	25,100 lux	14,119 lux	9,036 lux
	Beam diameter		0.50 m	0.77 m	1.03 m	1.29 m	1.56 m	
	Flood (50°)	Illumination	3200K	16,500 lux	4,950 lux	2,200 lux	1,238 lux	792 lux
			5600K	19,500 lux	5,850 lux	2,600 lux	1,463 lux	936 lux
		Beam diameter		1.17 m	2.10 m	3.04 m	3.97 m	4.90 m
Lumos Hawk 300MK 270W	Spot (15°)	Illumination	3200K	181,500 lux	54,450 lux	24,200 lux	13,613 lux	8,712 lux
			5600K	238,500 lux	71,550 lux	31,800 lux	17,888 lux	11,448 lux
	Beam diameter		0.50 m	0.77 m	1.03 m	1.29 m	1.56 m	
	Flood (50°)	Illumination	3200K	15,000 lux	4,500 lux	2,000 lux	1,125 lux	720 lux
			5600K	20,250 lux	6,075 lux	2,700 lux	1,519 lux	972 lux
		Beam diameter		1.17 m	2.10 m	3.04 m	3.97 m	4.90 m

# Lumos Hawk 300 series with Pole operating system

## ➤ Lumos Hawk 300 with Pole operated yoke and Focus Pole control

Size	W407.0 * H646.6 * L440.0 (mm) / W16.02 * H25.46 * L17.32 (inch)
------	---

