

Lumos Hawk 150F

➤ Silent but Powerful Fresnel Light

- 1KW Tungsten Output
- No Fan (Convective Heat Transfer)
- CRI 97 Ra at 3200K / 95 Ra at 5600K
- 15°~50° Beam Angle
- Flicker Free
- Stable Dimming (0~100%)
- Standard DMX 512 / RDM
- COB Lifetime : 50,000 hours

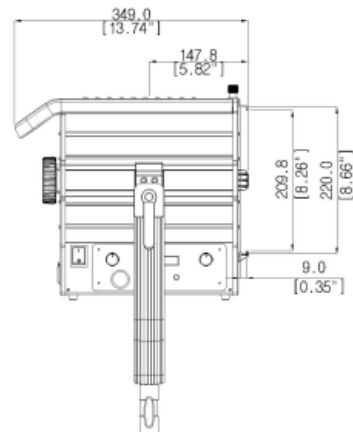
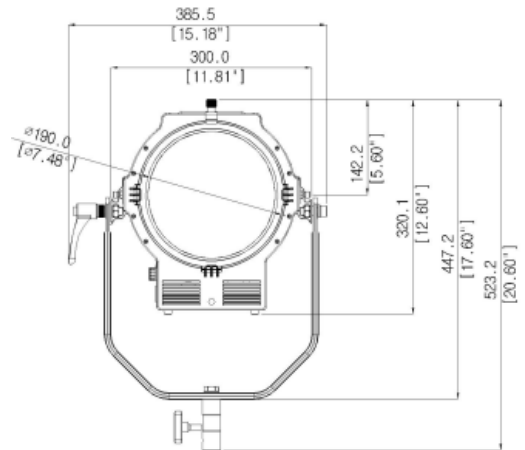


➤ Photometric Information of Lumos Hawk 150F

CCT	Beam angle	4 ft	8 ft	12 ft	16 ft	20 ft	1m	2m	3m	4m	5m
3200K	Spot (15°)	3,652 fc	913.1 fc	405.8 fc	228.3 fc	146.1 fc	48,700 lux	14,620 lux	6,493 lux	3,653 lux	2,338 lux
	Flood (50°)	487.5 fc	121.9 fc	54.2 fc	30.5 fc	19.5 fc	6,500 lux	1,950 lux	867 lux	488 lux	312 lux
5600K	Spot (15°)	4,350 fc	1,087 fc	483.3 fc	271.9 fc	174.0 fc	58,000 lux	17,400 lux	7,733 lux	4,350 lux	2,784 lux
	Flood (50°)	562.5 fc	140.6 fc	62.5 fc	35.2 fc	22.5 fc	7,500 lux	2,250 lux	1,000 lux	563 lux	360 lux

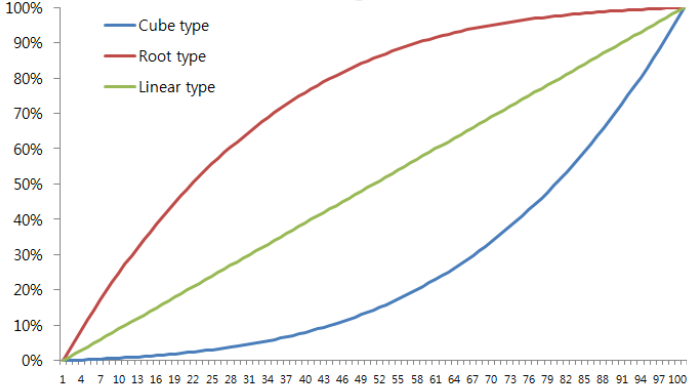
➤ Lumos Hawk 150F Specifications

Power Consumption	150W Nominal / 170W Maximum	
Size	W300 * H320 * L349 (mm) W11.8 * H12.6 * L13.7 (inch)	
Weight	8 kg / 17.6 lb	
Color Temperature	3200K or 5600K	
E. Characteristics	AC 100~240V / 50~60Hz	
Dimming	0~100%	
Control	Manual / DMX 512 / RDM	
Software Update	USB	
Flicker	Flicker Free	
Fresnel Lens	190mm (7.47") PMMA Fresnel Lens	
Beam Angle	15° ~ 50°	
Cooling System	Natural Convection (No Fan)	
Operating Temp.	0°C ~ 45°C	
Accessory	<ul style="list-style-type: none"> • 4-Leaf Barndoor • Pole Operated Yoke (Panning / Tilting / Beam angle) • Diffusing Filter 	
Color Temperature	3200K	5600K
CCT Tolerance	±150K	±150K
CRI	97 Ra	95 Ra



Lumos Hawk 150 series

➤ Mode

Mode	Function																		
Dimming	<ul style="list-style-type: none"> Stable Dimming (0~100%) Enable to customize the dimming step as each 1% or 4~5% 																		
CCT (MK Type only)	<ul style="list-style-type: none"> 2800~6500K (each 100K) <table border="1" data-bbox="935 357 1378 627"> <thead> <tr> <th colspan="3">DMX CCT Control value</th> </tr> <tr> <th>CCT</th> <th>0~100%</th> <th>0~255</th> </tr> </thead> <tbody> <tr> <td>2800K</td> <td>0 %</td> <td>0</td> </tr> <tr> <td>3200K</td> <td>11~13 %</td> <td>28~34</td> </tr> <tr> <td>5600K</td> <td>77~79 %</td> <td>196~202</td> </tr> <tr> <td>6500K</td> <td>100 %</td> <td>255</td> </tr> </tbody> </table>	DMX CCT Control value			CCT	0~100%	0~255	2800K	0 %	0	3200K	11~13 %	28~34	5600K	77~79 %	196~202	6500K	100 %	255
DMX CCT Control value																			
CCT	0~100%	0~255																	
2800K	0 %	0																	
3200K	11~13 %	28~34																	
5600K	77~79 %	196~202																	
6500K	100 %	255																	
DMX Address	<ul style="list-style-type: none"> Change DMX address (1~512) Standard DMX 512 F type DMX mode using 1 channel (Ch.1 – Dimming) MK type DMX mode using 2 Channel (Ch. 1 – Dimming / Ch.2 – CCT) Compatibility with various DMX Controllers Firmware available for most DMX Controllers 																		
LCD Back Light	<ul style="list-style-type: none"> On Off after 10 sec. 																		
RDM State	<ul style="list-style-type: none"> On Off 																		
Dimming curve	<ul style="list-style-type: none"> Customized dimming steps are available 3-way Dimming curve select to mode button ➤ Linear type : Normal increase of lighting intensity ➤ Cube type : Detailed control in Low dimming area (0~50%) ➤ Root type : Detailed control in high dimming area (50~100%) <p style="text-align: center;">Dimming Curve</p> 																		
Dimming Speed	<ul style="list-style-type: none"> Very fast Fast Medium Slow 																		

Lumos Hawk 150 series

➤ Photometric Information of Lumos Hawk 150 Series

Model	Beam angle			1m	2m	3m	4m	5m
Lumos Hawk 150F 150W	Spot (15°)	Illumination	3200K	48,700 lux	14,620 lux	6,493 lux	3,653 lux	2,338 lux
			5600K	58,000 lux	17,400 lux	7,733 lux	4,350 lux	2,784 lux
		Beam diameter		0.46 m	0.73 m	1.00 m	1.27 m	1.54 m
	Flood (50°)	Illumination	3200K	6,500 lux	1,950 lux	867 lux	488 lux	312 lux
			5600K	7,500 lux	2,250 lux	1,000 lux	563 lux	360 lux
		Beam diameter		1.13 m	2.06 m	3.00 m	3.95 m	4.87 m
Lumos Hawk 150MK 150W	Spot (15°)	Illumination	3200K	59,000 lux	17,700 lux	7,867 lux	4,425 lux	2,832 lux
			5600K	75,000 lux	22,500 lux	10,000 lux	5,625 lux	3,600 lux
		Beam diameter		0.46 m	0.73 m	1.00 m	1.27 m	1.54 m
	Flood (50°)	Illumination	3200K	5,700 lux	1,710 lux	760 lux	428 lux	274 lux
			5600K	7,400 lux	2,220 lux	987 lux	555 lux	355 lux
		Beam diameter		1.13 m	2.06 m	3.00 m	3.95 m	4.87 m

➤ Lumos Hawk 150 with Pole operated yoke and Focus Pole control

Size	W364.6 * H446.3 * L353.0 (mm) / W14.36 * H22.44 * L13.90 (inch)
------	---

