

Lumos Hawk 400MK

➤ Powerful as Sunlight

- 3KW Tungsten Output
- Hybrid Cooling System
- CRI 95 Ra at 2800K~6500K
- 15°~50° Beam Angle
- Flicker Free
- Stable Dimming (0~100%)
- Standard DMX 512 / RDM
- COB Lifetime : 50,000 hours

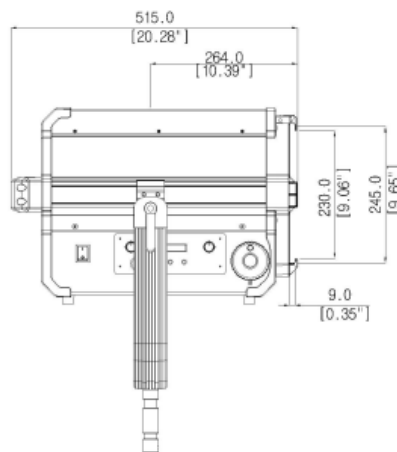
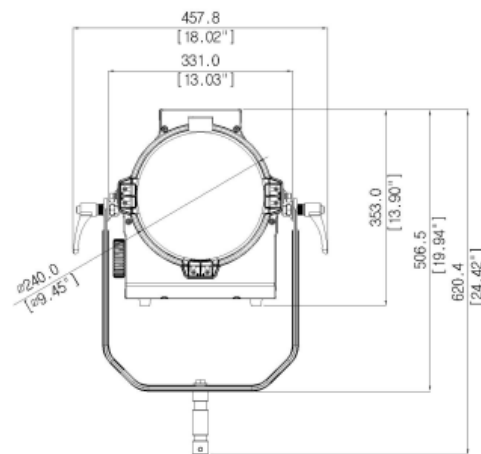


➤ Photometric Information of Lumos Hawk 400MK

CCT	Beam angle	4 ft	8 ft	12 ft	16 ft	20 ft	1m	2m	3m	4m	5m
3200K	Spot (15°)	14,624 fc	3,656 fc	1,625 fc	914.1 fc	585.0 fc	195,000 lux	58,500 lux	26,000 lux	14,625 lux	9,360 lux
	Flood (50°)	1,800 fc	450.0 fc	200.0 fc	112.5 fc	72.0 fc	24,000 lux	7,200 lux	3,200 lux	1,800 lux	1,152 lux
5600K	Spot (15°)	19,687 fc	4,921 fc	2,187 fc	1,230 fc	787.5 fc	262,500 lux	78,750 lux	35,000 lux	19,688 lux	12,600 lux
	Flood (50°)	1,968 fc	492.2 fc	218.7 fc	123.0 fc	78.7 fc	26,250 lux	7,875 lux	3,500 lux	1,969 lux	1,260 lux

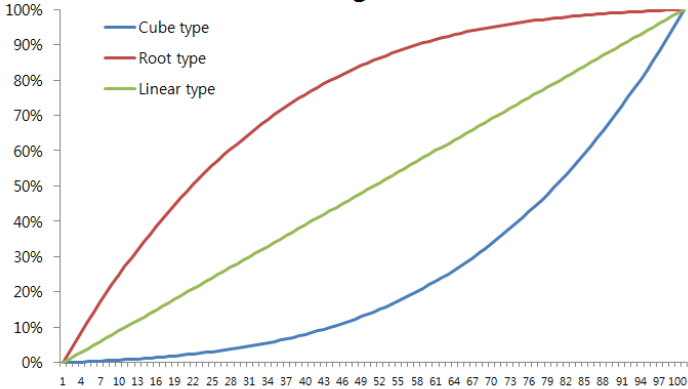
➤ Lumos Hawk 400MK Specifications

Power Consumption	400W Nominal / 450W Maximum	
Size	W331 * H353 * L515 (mm) W13.0 * H13.9 * L20.3 (inch)	
Weight	15.0 kg / 33 lb	
Color Temperature	2800K ~ 6500K	
E. Characteristics	AC 100~240V / 50~60Hz	
Dimming	0~100%	
Control	Manual / DMX 512 / RDM	
Software Update	USB	
Flicker	Flicker Free	
Fresnel Lens	240mm (9.45") PC Fresnel Lens	
Beam Angle	15° ~ 50°	
Cooling System	Hybrid Cooling System	
Operating Temp.	0°C ~ 45°C	
Accessory	<ul style="list-style-type: none"> • 4-Leaf Barndoor • Pole Operated Yoke (Panning / Tilting / Beam angle) • Diffusing Filter 	
Color Temperature	3200K	5600K
CCT Tolerance	±150K	±150K
CRI	97 Ra	95 Ra



Lumos Hawk 400MK

➤ Mode

Mode	Function																		
Dimming	<ul style="list-style-type: none"> Stable Dimming (0~100%) Enable to customize the dimming step as each 1% or 4~5% 																		
CCT (MK Type only)	<ul style="list-style-type: none"> 2800~6500K (each 100K) <table border="1" data-bbox="933 353 1378 627"> <thead> <tr> <th colspan="3">DMX CCT Control value</th> </tr> <tr> <th>CCT</th> <th>0~100%</th> <th>0~255</th> </tr> </thead> <tbody> <tr> <td>2800K</td> <td>0 %</td> <td>0</td> </tr> <tr> <td>3200K</td> <td>11~13 %</td> <td>28~34</td> </tr> <tr> <td>5600K</td> <td>77~79 %</td> <td>196~202</td> </tr> <tr> <td>6500K</td> <td>100 %</td> <td>255</td> </tr> </tbody> </table>	DMX CCT Control value			CCT	0~100%	0~255	2800K	0 %	0	3200K	11~13 %	28~34	5600K	77~79 %	196~202	6500K	100 %	255
DMX CCT Control value																			
CCT	0~100%	0~255																	
2800K	0 %	0																	
3200K	11~13 %	28~34																	
5600K	77~79 %	196~202																	
6500K	100 %	255																	
DMX Address	<ul style="list-style-type: none"> Change DMX address (1~512) Standard DMX 512 MK type DMX mode using 2 Channel (Ch. 1 – Dimming / Ch.2 – CCT) Compatibility with various DMX Controllers Firmware available for most DMX Controllers 																		
LCD Back Light	<ul style="list-style-type: none"> On Off after 10 sec. 																		
RDM State	<ul style="list-style-type: none"> On Off 																		
Dimming curve	<ul style="list-style-type: none"> Customized dimming steps are available 3-way Dimming curve select to mode button ➤ Linear type : Normal increase of lighting intensity ➤ Cube type : Detailed control in Low dimming area (0~50%) ➤ Root type : Detailed control in high dimming area (50~100%) <p style="text-align: center;">Dimming Curve</p> 																		
Dimming Speed	<ul style="list-style-type: none"> Very fast Fast Medium Slow 																		

Lumos Hawk 400 series

➤ decibel measurements of Lumos Hawk 400F

Model	1m	2m	3m
Lumos Hawk 400 : 400W	28 dB	24 dB	22 dB

Hybrid cooling system

The patented technology to improve air flow to cool down the heat created inside the product.

Usually the convection heat mode is at low dimming stage.

However fan will be turned on at certain dimming stage as below.

- Hawk 400 : Cube 86~100%, Linear 61~100%, Root 28~100%

➤ Photometric Information of Lumos Hawk 400 series

Model	Beam angle		1m	2m	3m	4m	5m	
Lumos Hawk 400F 400W	Spot (15°)	Illumination	3200K	243,750 lux	73,125 lux	32,500 lux	18,281 lux	11,700 lux
			5600K	270,000 lux	81,000 lux	36,000 lux	20,250 lux	12,960 lux
		Beam diameter		0.50 m	0.77 m	1.03 m	1.29 m	1.56 m
	Flood (50°)	Illumination	3200K	21,000 lux	6,300 lux	2,800 lux	1,575 lux	1,080 lux
			5600K	23,250 lux	6,975 lux	3,100 lux	1,744 lux	1,116 lux
		Beam diameter		1.17 m	2.10 m	3.04 m	3.97 m	4.90 m
Lumos Hawk 400MK 400W	Spot (15°)	Illumination	3200K	195,000 lux	58,500 lux	26,000 lux	14,625 lux	9,360 lux
			5600K	262,500 lux	78,750 lux	35,000 lux	19,688 lux	12,600 lux
		Beam diameter		0.50 m	0.77 m	1.03 m	1.29 m	1.56 m
	Flood (50°)	Illumination	3200K	24,000 lux	7,200 lux	3,200 lux	1,800 lux	1,152 lux
			5600K	26.250 lux	7,875 lux	3,500 lux	1,969 lux	1,260 lux
		Beam diameter		1.17 m	2.10 m	3.04 m	3.97 m	4.90 m

Lumos Hawk 400 series with Pole operating system

➤ Lumos Hawk 400 with Pole operated yoke and Focus Pole control

Size	W407.0 * H646.6 * L515.0 (mm) / W16.02 * H25.46 * L20.28 (inch)
------	---

