

Lumos Hawk 200F

➤ Onv dqt kEqlrmdkKf gs

- 1.5KW Tungsten output
- Hybrid cooling system
- CRI 97 Ra at 3200K / 95 Ra at 5600K
- 15°~50° Beam angle
- Flicker free
- Stable dimming (0~100%)
- Standard DMX 512 / RDM
- COB lifetime : 50,000 hours

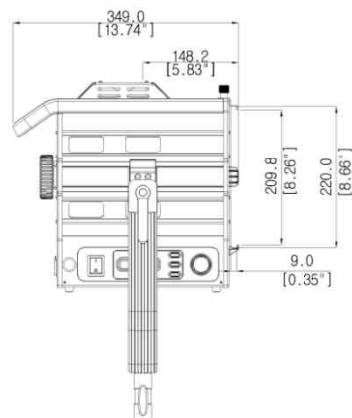
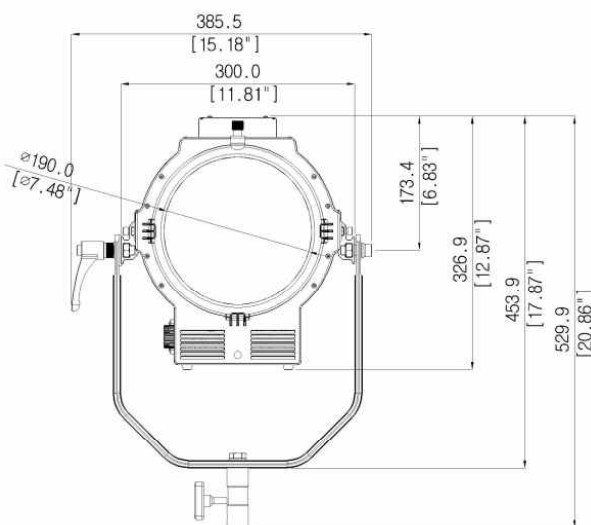


➤ Ognsl dsqjb hrend `shmnK I nr G`vj 1//E

CCT	Beam angle	4 ft	8 ft	12 ft	16 ft	20 ft	1m	2m	3m	4m	5m
3200K	Spot (15°)	4,942.5 fc	1,235.6 fc	549.2 fc	308.9 fc	197.7 fc	65,900 lux	19,770 lux	8,790 lux	4,940 lux	3,160 lux
	Flood (50°)	690 fc	172.5 fc	76.7 fc	43.1 fc	27.6 fc	9,200 lux	2,750 lux	1,220 lux	690 lux	440 lux
5600K	Spot (15°)	5,625 fc	1,406.2 fc	625 fc	351.6 fc	225 fc	75,000 lux	22,500 lux	10,000 lux	5,630 lux	3,600 lux
	Flood (50°)	825 fc	206.2 fc	91.7 fc	51.6 fc	33 fc	11,000 lux	3,300 lux	1,470 lux	830 lux	530 lux

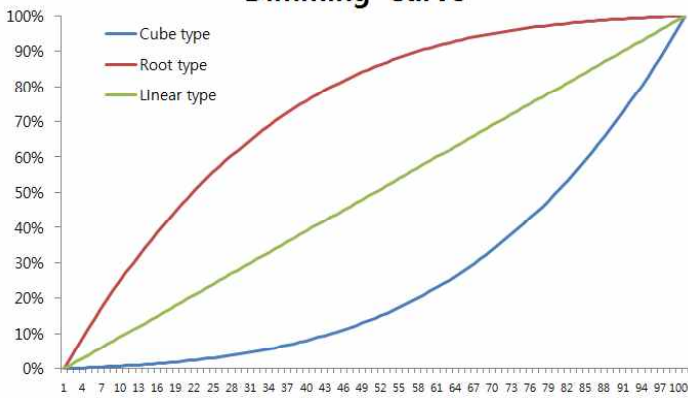
➤ K I nr G`vj 1//E Rodbleb`snmr

Power Consumption	200W Nominal / 220W Maximum	
Size	W300 * H327 * L349 (mm) W11.81 * H12.87 * L13.74 (inch)	
Weight	6.9 kg / 15.2 lb	
Color Temperature	3200K or 5600K	
E Characteristics	AC 100~240V / 50~60Hz	
Dimming	0~100%	
Control	Manual / DMX 512 / RDM	
Flicker	Flicker free	
Fresnel lens	190mm (7.47") PMMA Fresnel lens	
Beam angle	15° ~ 50°	
Cooling system	Hybrid cooling system (fan)	
Operating Temp.	0°C ~ 45°C	
Accessory	<ul style="list-style-type: none"> • 4-leaf barndoor • Pole operated yoke (Panning / Tilting / Beam angle) • Diffusing filter 	
Color temperature	3200K	5600K
CCT Tolerance	±150K	±150K
CRI	97 Ra	95 Ra



Lumos Hawk 200 series

➤ L ncd

Mode	Function																		
Dimming	<ul style="list-style-type: none"> Stable Dimming (0~100%) Enable to customize the dimming step as each 1% or 4~5% 																		
CCT (MK Type only)	<ul style="list-style-type: none"> 2800~6500K (each 100K) <table border="1" data-bbox="979 430 1422 700"> <thead> <tr> <th colspan="3">CL WBBS Bnnsqku' k d</th> </tr> <tr> <th>CCT</th> <th>0~100%</th> <th>0~255</th> </tr> </thead> <tbody> <tr> <td>2800K</td> <td>0 %</td> <td>0</td> </tr> <tr> <td>3200K</td> <td>11~13 %</td> <td>28~34</td> </tr> <tr> <td>5600K</td> <td>77~79 %</td> <td>196~202</td> </tr> <tr> <td>6500K</td> <td>100 %</td> <td>255</td> </tr> </tbody> </table>	CL WBBS Bnnsqku' k d			CCT	0~100%	0~255	2800K	0 %	0	3200K	11~13 %	28~34	5600K	77~79 %	196~202	6500K	100 %	255
CL WBBS Bnnsqku' k d																			
CCT	0~100%	0~255																	
2800K	0 %	0																	
3200K	11~13 %	28~34																	
5600K	77~79 %	196~202																	
6500K	100 %	255																	
DMX Address	<ul style="list-style-type: none"> Change DMX address (1~512) Standard DMX 512 F type DMX mode using 1 channel (Ch.1 – Dimming) MK type DMX mode using 2 Channel (Ch. 1 – Dimming / Ch.2 – CCT) Compatibility with various DMX Controllers Firmware available for most DMX Controllers 																		
LCD Back Light	<ul style="list-style-type: none"> On Off after 10 sec. 																		
RDM State	<ul style="list-style-type: none"> On Off 																		
Dimming curve	<ul style="list-style-type: none"> Customized dimming steps are available 3-way Dimming curve select to mode button ➤ Linear type : Normal increase of lighting intensity ➤ Cube type : Detailed control in Low dimming area (0~50%) ➤ Root type : Detailed control in high dimming area (50~100%) <p style="text-align: center;">Dimming Curve</p> 																		
Dimming Speed	<ul style="list-style-type: none"> Very fast Fast Medium Slow 																		

Lumos Hawk 200 series

➤ cdbladkl d`rt opl dmsr nekt l nr G`vj 1// Rddqr

Model	1m	2m	3m
Lumos Hawk 200 200W	21 dB	19 dB	18 dB

Gxaqc bnnkmf rxrsdl

The patented technology to improve air flow to cool down the heat created inside the product.

Usually the convection heat mode is at low dimming stage.

However fan will be turned on at certain dimming stage as below.

- Hawk 200 : Cube 93~100%, Linear 76~100%, Root 39~100%

➤ Ognsnl dsqfb hmqd `shmmnekt l nr G`vj 1// Rddqr

L ncdk	Ad l `mf ld		0l	1l	2l	3l	4l	
Lumos Hawk 200F 200W	Spot (15°)	Illumination	3200K	65,900 lux	19,770 lux	8,790 lux	4,940 lux	3,160 lux
			5600K	75,000 lux	22,500 lux	10,000 lux	5,630 lux	3,600 lux
		Beam diameter		0.46 m	0.73 m	1.00 m	1.27 m	1.54 m
	Flood (50°)	Illumination	3200K	9,200 lux	2,750 lux	1,220 lux	690 lux	440 lux
			5600K	11,000 lux	3,300 lux	1,470 lux	830 lux	530 lux
		Beam diameter		1.13 m	2.06 m	3.00 m	3.95 m	4.87 m
Lumos Hawk 200MK 220W	Spot (15°)	Illumination	3200K	35,900 lux	10,770 lux	4,790 lux	2,690 lux	1,720 lux
			5600K	51,600 lux	15,490 lux	6,880 lux	3,870 lux	2,480 lux
		Beam diameter		0.46 m	0.73 m	1.00 m	1.27 m	1.54 m
	Flood (50°)	Illumination	3200K	7,900 lux	2,360 lux	1,050 lux	590 lux	380 lux
			5600K	10,800 lux	3,240 lux	1,440 lux	810 lux	520 lux
		Beam diameter		1.13 m	2.06 m	3.00 m	3.95 m	4.87 m

Lumos Hawk 200 series v lsg Onkd nodq sdc xnj d

➤ Kt I nr G` v j 1// v lsg Onkd nodq sdc xnj d ` mc Enbt r Onkd bnmsqk

Size	W364.6 * H570.1 * L353.0 (mm) / W14.36 * H22.44 * L13.90 (inch)
------	---

