

# Lumos Hawk 50F

## ► Rīk`mc P t lds Eqplrmk Kf gs

- 400W Tungsten output
- No fan / No Noise (Convective heat transfer)
- CRI 97 Ra at 3200K / 95 Ra at 5600K
- 12~24V DC Free volt
- Supports Anton Bauer (Gold-mount) and V-mount battery
- 15°~50° Beam angle
- Flicker free
- Stable dimming (0~100%)
- Standard DMX 512 / RDM
- COB lifetime : 50,000 hours

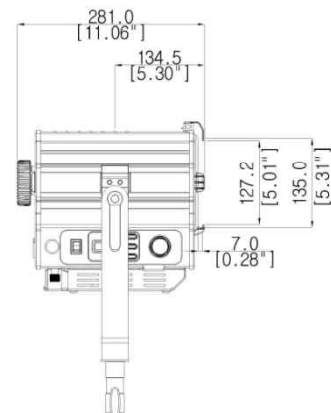
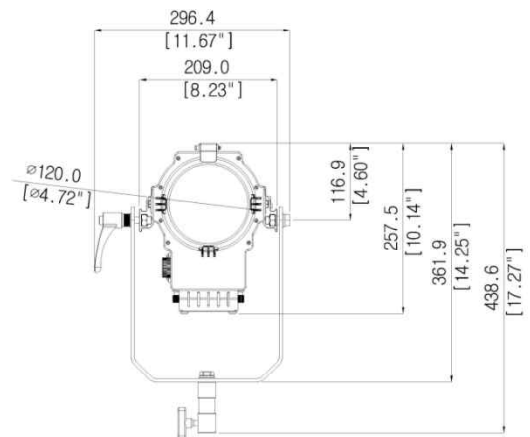


## ► Ognsnl dsq b h r e n d ` s h m n e K t l n r G ` v j 4 / E

CCT	Beam angle	4 ft	8 ft	12 ft	16 ft	20 ft	1m	2m	3m	4m	5m
3200K	Spot (15°)	1,200 fc	300 fc	133.3 fc	75 fc	48 fc	16,000 lux	4,800 lux	2,130 lux	1,200 lux	770 lux
	Flood (50°)	270 fc	67.5 fc	30 fc	16.9 fc	10.8 fc	3,600 lux	1,080 lux	480 lux	270 lux	170 lux
5600K	Spot (15°)	1,500 fc	375 fc	166.7 fc	93.7 fc	60 fc	20,000 lux	6,000 lux	2,670 lux	1,500 lux	960 lux
	Flood (50°)	285 fc	71.2 fc	31.7 fc	17.8 fc	11.4 fc	3,800 lux	1,140 lux	510 lux	290 lux	180 lux

## ► K t l n r G ` v j 4 / E R o d b l e b ` s m m r

Power Consumption	Max. 50W	
Size	W209 * H258 * L281 (mm) W8.23 * H10.14 * L11.06 (inch)	
Weight	4 kg / 8.8 lb	
Color Temperature	3200K or 5600K	
E Characteristics	AC 100~240V / 50~60Hz	
Input Voltage	12~24V DC (Free volt)	
Dimming	0~100%	
Control	Manual / DMX 512 / RDM	
Flicker	Flicker free	
Fresnel lens	120mm (4.72") PMMA Fresnel lens	
Beam angle	15° ~ 50°	
Cooling system	Natural convection (No fan)	
Operating Temp.	0°C ~ 45°C	
Accessory	<ul style="list-style-type: none"> <li>• V-mount / G-mount bracket</li> <li>• 4-leaf barn door</li> <li>• Pole operated yoke (Panning / Tilting )</li> <li>• Diffusing filter</li> </ul>	
Color temperature	3200K	5600K
CCT Tolerance	±150K	±150K
CRI	97 Ra	95 Ra



# Lumos Hawk 50 series

## ➤ L ncd

Mode	Function																		
Dimming	<ul style="list-style-type: none"> <li>Stable Dimming (0~100%)</li> <li>Enable to customize the dimming step as each 1% or 4~5%</li> </ul>																		
CCT (MK Type only)	<ul style="list-style-type: none"> <li>2800~6500K (each 100K)</li> </ul> <table border="1" style="margin-left: auto; margin-right: auto;"> <thead> <tr> <th colspan="3">CL WBBS Bnnsqku' k d</th> </tr> <tr> <th>CCT</th> <th>0~100%</th> <th>0~255</th> </tr> </thead> <tbody> <tr> <td>2800K</td> <td>0 %</td> <td>0</td> </tr> <tr> <td>3200K</td> <td>11~13 %</td> <td>28~34</td> </tr> <tr> <td>5600K</td> <td>77~79 %</td> <td>196~202</td> </tr> <tr> <td>6500K</td> <td>100 %</td> <td>255</td> </tr> </tbody> </table>	CL WBBS Bnnsqku' k d			CCT	0~100%	0~255	2800K	0 %	0	3200K	11~13 %	28~34	5600K	77~79 %	196~202	6500K	100 %	255
CL WBBS Bnnsqku' k d																			
CCT	0~100%	0~255																	
2800K	0 %	0																	
3200K	11~13 %	28~34																	
5600K	77~79 %	196~202																	
6500K	100 %	255																	
DMX Address	<ul style="list-style-type: none"> <li>Change DMX address (1~512)</li> <li>Standard DMX 512</li> <li>F type DMX mode using 1 channel (Ch.1 – Dimming)</li> <li>MK type DMX mode using 2 Channel (Ch. 1 – Dimming / Ch.2 – CCT)</li> <li>Compatibility with various DMX Controllers</li> <li>Firmware available for most DMX Controllers</li> </ul>																		
LCD Back Light	<ul style="list-style-type: none"> <li>On</li> <li>Off after 10 sec.</li> </ul>																		
RDM State	<ul style="list-style-type: none"> <li>On</li> <li>Off</li> </ul>																		
Dimming curve	<ul style="list-style-type: none"> <li>Customized dimming steps are available</li> <li>3-way Dimming curve select to mode button</li> <li>➤ Linear type : Normal increase of lighting intensity</li> <li>➤ Cube type : Detailed control in Low dimming area (0~50%)</li> <li>➤ Root type : Detailed control in high dimming area (50~100%)</li> </ul> <p style="text-align: center;"><b>Dimming Curve</b></p>																		
Dimming Speed	<ul style="list-style-type: none"> <li>Very fast</li> <li>Fast</li> <li>Medium</li> <li>Slow</li> </ul>																		
12~24V Free volt	<ul style="list-style-type: none"> <li>Compatible with wide range of batteries.</li> <li>V-mount battery or Gold-mount battery</li> </ul>																		

# Lumos Hawk 50 series

➤ Ognisni dscjfb hrend `shmmne Kt I nr G` v j 4/ Rdqdr

L ncdk	Ad I `mf ld			0l	1l	2l	3l	4l
Lumos Hawk 50F  50W	Spot (15°)	Illumination	3200K	16,000 lux	4,800 lux	2,130 lux	1,200 lux	770 lux
			5600K	20,000 lux	6,000 lux	2,670 lux	1,500 lux	960 lux
		Beam diameter		0.38 m	0.65 m	0.91 m	1.17 m	1.44 m
	Flood (50°)	Illumination	3200K	3,600 lux	1,080 lux	480 lux	270 lux	170 lux
			5600K	3,800 lux	1,140 lux	510 lux	290 lux	180 lux
		Beam diameter		1.05 m	1.99 m	2.92 m	3.85 m	4.78 m
Lumos Hawk 50MK  50W	Spot (15°)	Illumination	3200K	6,900 lux	2,070 lux	920 lux	520 lux	330 lux
			5600K	9,700 lux	2,910 lux	1,290 lux	730 lux	470 lux
		Beam diameter		0.38 m	0.65 m	0.91 m	1.17 m	1.44 m
	Flood (50°)	Illumination	3200K	2,700 lux	810 lux	360 lux	200 lux	130 lux
			5600K	3,400 lux	1,020 lux	450 lux	260 lux	160 lux
		Beam diameter		1.05 m	1.99 m	2.92 m	3.85 m	4.78 m