

Lumos Hawk 100MK

➤ Özellikler ve Teknik Özellikler

- 300W Tungsten output
- Hybrid cooling system
- CRI 95 Ra at 2800~6500K
- 12~24V DC Free volt
- Supports Anton Bauer (Gold-mount) and V-mount battery
- 15°~50° Beam angle
- Flicker free
- Stable dimming (0~100%)
- Standard DMX 512 / RDM
- COB lifetime : 50,000 hours

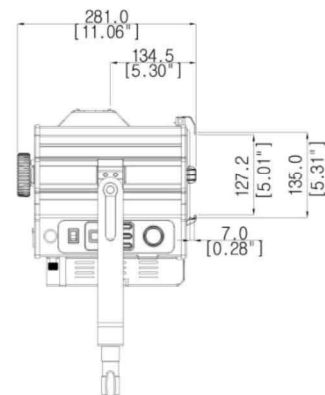
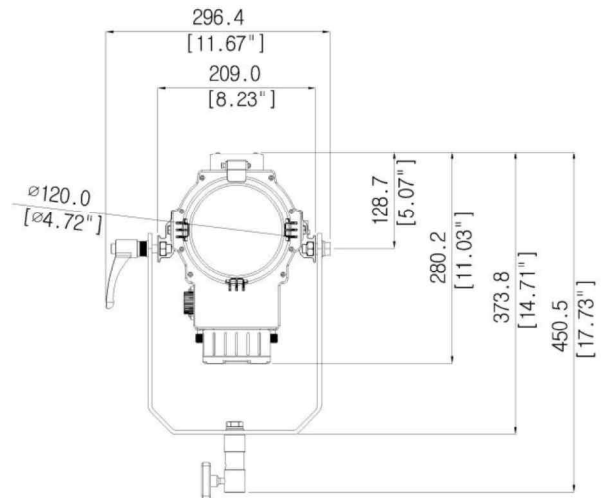


➤ Işığın yayıldığı alanın ölçüleri (Beam Spread)

CCT	Beam angle	4 ft	8 ft	12 ft	16 ft	20 ft	1m	2m	3m	4m	5m
3200K	Spot (15°)	806 fc	202 fc	90 fc	50 fc	32 fc	10,750 lux	3,225 lux	1,433 lux	806 lux	516 lux
	Flood (50°)	316 fc	79 fc	35 fc	20 fc	13 fc	4,210 lux	1,263 lux	561 lux	316 lux	202 lux
5600K	Spot (15°)	1142 fc	286 fc	127 fc	71 fc	46 fc	15,230 lux	4,569 lux	2,031 lux	1,142 lux	731 lux
	Flood (50°)	492 fc	123 fc	55 fc	31 fc	20 fc	6,555 lux	1,967 lux	874 lux	492 lux	315 lux

➤ Teknik Özellikler ve Diğer Özellikler

Power Consumption	Max. 100W	
Size	W209 * H281 * L281 (mm) W8.23 * H11.03 * L11.06 (inch)	
Weight	4.5 kg / 9.9 lb	
Color Temperature	2800K~6500K	
E Characteristics	AC 100~240V / 50~60Hz	
Input Voltage	12~24V DC (Free volt)	
Dimming	0~100%	
Control	Manual / DMX 512 / RDM	
Flicker	Flicker free	
Fresnel lens	120mm (4.72") PMMA Fresnel lens	
Beam angle	15° ~ 50°	
Cooling system	Hybrid cooling system (fan)	
Operating Temp.	0°C ~ 45°C	
Accessory	<ul style="list-style-type: none"> • V-mount / G-mount bracket • 4-leaf barn door • Pole operated yoke (Panning / Tilting) • Diffusing filter 	
Color temperature	2800K	6500K
CCT Tolerance	±150K	±150K
CRI	95 Ra	95 Ra



Lumos Hawk 100 series

➤ L ncd

Mode	Function																		
Dimming	<ul style="list-style-type: none"> Stable Dimming (0~100%) Enable to customize the dimming step as each 1% or 4~5% 																		
CCT (MK Type only)	<ul style="list-style-type: none"> 2800~6500K (each 100K) <table border="1"> <thead> <tr> <th colspan="3">CL WBBS Bnnsqku' k d</th> </tr> <tr> <th>CCT</th> <th>0~100%</th> <th>0~255</th> </tr> </thead> <tbody> <tr> <td>2800K</td> <td>0 %</td> <td>0</td> </tr> <tr> <td>3200K</td> <td>11~13 %</td> <td>28~34</td> </tr> <tr> <td>5600K</td> <td>77~79 %</td> <td>196~202</td> </tr> <tr> <td>6500K</td> <td>100 %</td> <td>255</td> </tr> </tbody> </table>	CL WBBS Bnnsqku' k d			CCT	0~100%	0~255	2800K	0 %	0	3200K	11~13 %	28~34	5600K	77~79 %	196~202	6500K	100 %	255
CL WBBS Bnnsqku' k d																			
CCT	0~100%	0~255																	
2800K	0 %	0																	
3200K	11~13 %	28~34																	
5600K	77~79 %	196~202																	
6500K	100 %	255																	
DMX Address	<ul style="list-style-type: none"> Change DMX address (1~512) Standard DMX 512 F type DMX mode using 1 channel (Ch.1 – Dimming) MK type DMX mode using 2 Channel (Ch. 1 – Dimming / Ch.2 – CCT) Compatibility with various DMX Controllers Firmware available for most DMX Controllers 																		
LCD Back Light	<ul style="list-style-type: none"> On Off after 10 sec. 																		
RDM State	<ul style="list-style-type: none"> On Off 																		
Dimming curve	<ul style="list-style-type: none"> Customized dimming steps are available 3-way Dimming curve select to mode button ➤ Linear type : Normal increase of lighting intensity ➤ Cube type : Detailed control in Low dimming area (0~50%) ➤ Root type : Detailed control in high dimming area (50~100%) <p style="text-align: center;">Dimming Curve</p>																		
Dimming Speed	<ul style="list-style-type: none"> Very fast Fast Medium Slow 																		
12~24V Free volt	<ul style="list-style-type: none"> Compatible with wide range of batteries. V-mount battery or Gold-mount battery 																		

Lumos Hawk 100 series

➤ cdbladkl d`rt opl dmsr ne Kl I nr G`vj 0// Rdqdr

Model	1m	2m	3m
Lumos Hawk 100 100W	20 dB	19 dB	18 dB

Gxaqtc bnnknf rxrsdl

The patented technology to improve air flow to cool down the heat created inside the product.

Usually the convection heat mode is at low dimming stage.

However fan will be turned on at certain dimming stage as below.

- Hawk 100 : Cube 80~100%, Linear 51~100%, Root 22~100%

➤ Ognsnl dsqfb hmqd `shmmne Kl I nr G`vj 0// Rdqdr

L ncdk	Ad I `mf ld		0l	1l	2l	3l	4l	
Lumos Hawk 100F 100W	Spot (15°)	Illumination	3200K	29,659 lux	8,898 lux	3,955 lux	2,224 lux	1,424 lux
			5600K	35,070 lux	10,521 lux	4,676 lux	2,630 lux	1,683 lux
		Beam diameter		0.38 m	0.65 m	0.91 m	1.17 m	1.44 m
	Flood (50°)	Illumination	3200K	7,077 lux	2,123 lux	944 lux	531 lux	340 lux
			5600K	7,538 lux	2,261 lux	1,005 lux	565 lux	362 lux
		Beam diameter		1.05 m	1.99 m	2.92 m	3.85 m	4.78 m
Lumos Hawk 100MK 100W	Spot (15°)	Illumination	3200K	10,750 lux	3,225 lux	1,433 lux	806 lux	516 lux
			5600K	15,230 lux	4,569 lux	2,031 lux	1,142 lux	731 lux
		Beam diameter		0.38 m	0.65 m	0.91 m	1.17 m	1.44 m
	Flood (50°)	Illumination	3200K	4,210 lux	1,263 lux	561 lux	316 lux	202 lux
			5600K	6,555 lux	1,967 lux	874 lux	492 lux	315 lux
		Beam diameter		1.05 m	1.99 m	2.92 m	3.85 m	4.78 m