

Lumos Hawk 150F

➤ Rtdms at s Onv dqt k Eplrmrk Kf gs

- 1KW Tungsten output
- No fan / No Noise (Convective heat transfer)
- CRI 97 Ra at 3200K / 95 Ra at 5600K
- 12~24V DC Free volt
- Supports Anton Bauer (Gold-mount) and V-mount battery
- 15°~50° Beam angle
- Flicker free
- Stable dimming (0~100%)
- Standard DMX 512 / RDM
- COB lifetime : 50,000 hours

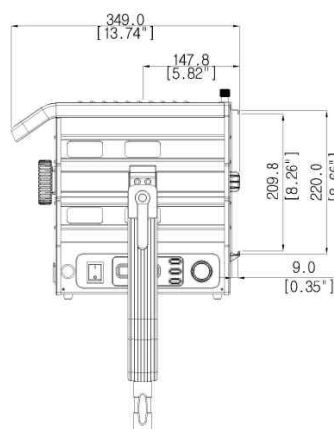
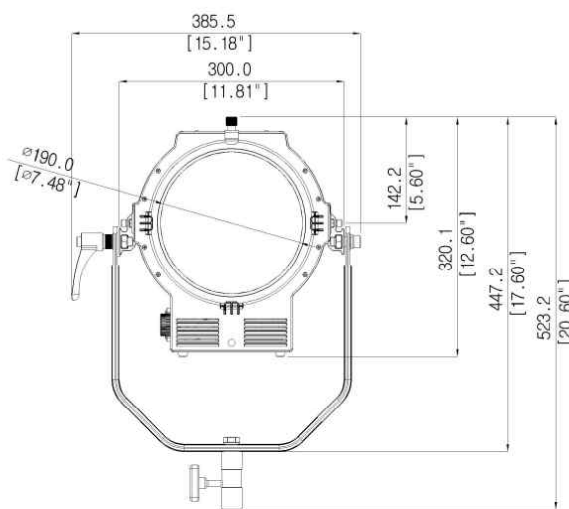


➤ Ognsl dsqjb hrend `shmne K I nr G` v j 04/ E

CCT	Beam angle	4 ft	8 ft	12 ft	16 ft	20 ft	1m	2m	3m	4m	5m
3200K	Spot (15°)	3655 fc	914 fc	406 fc	228 fc	146 fc	48,737 lux	14,621 lux	6,498 lux	3,655 lux	2,339 lux
	Flood (50°)	510 fc	127 fc	57 fc	32 fc	20 fc	6,794 lux	2,038 lux	906 lux	510 lux	326 lux
5600K	Spot (15°)	4351 fc	1088 fc	483 fc	272 fc	174 fc	58,020 lux	17,406 lux	7,736 lux	4,352 lux	2,785 lux
	Flood (50°)	619 fc	155 fc	69 fc	39 fc	25 fc	8,256 lux	2,477 lux	1,101 lux	619 lux	396 lux

➤ K I nr G` v j 04/ E Rodbleb` snmr

Power Consumption	150W Nominal / 160W Maximum	
Size	W300 * H320 * L349 (mm) W11.81 * H12.6 * L13.8 (inch)	
Weight	6.6 kg / 14.6 lb	
Color Temperature	3200K or 5600K	
	AC 100~240V / 50~60Hz	
Dimming	0~100%	
Control	Manual / DMX 512 / RDM	
Flicker	Flicker free	
Fresnel lens	190mm (7.47") PMMA Fresnel lens	
Beam angle	15° ~ 50°	
Cooling system	Natural convection (No fan)	
Operating Temp.	0°C ~ 45°C	
Accessory	<ul style="list-style-type: none"> • 4-leaf barndoor • Pole operated yoke (Panning / Tilting / Beam angle) • Diffusing filter 	
Color temperature	3200K	5600K
CCT Tolerance	±150K	±150K
CRI	97 Ra	95 Ra



Lumos Hawk 150 series

➤ L ncd

Mode	Function																		
Dimming	<ul style="list-style-type: none"> Stable Dimming (0~100%) Enable to customize the dimming step as each 1% or 4~5% 																		
CCT (MK Type only)	<ul style="list-style-type: none"> 2800~6500K (each 100K) <table border="1" style="margin-left: auto; margin-right: auto;"> <thead> <tr> <th colspan="3">CL WBBS Bnmsqku' k d</th> </tr> <tr> <th>CCT</th> <th>0~100%</th> <th>0~255</th> </tr> </thead> <tbody> <tr> <td>2800K</td> <td>0 %</td> <td>0</td> </tr> <tr> <td>3200K</td> <td>11~13 %</td> <td>28~34</td> </tr> <tr> <td>5600K</td> <td>77~79 %</td> <td>196~202</td> </tr> <tr> <td>6500K</td> <td>100 %</td> <td>255</td> </tr> </tbody> </table>	CL WBBS Bnmsqku' k d			CCT	0~100%	0~255	2800K	0 %	0	3200K	11~13 %	28~34	5600K	77~79 %	196~202	6500K	100 %	255
CL WBBS Bnmsqku' k d																			
CCT	0~100%	0~255																	
2800K	0 %	0																	
3200K	11~13 %	28~34																	
5600K	77~79 %	196~202																	
6500K	100 %	255																	
DMX Address	<ul style="list-style-type: none"> Change DMX address (1~512) Standard DMX 512 F type DMX mode using 1 channel (Ch.1 – Dimming) MK type DMX mode using 2 Channel (Ch. 1 – Dimming / Ch.2 – CCT) Compatibility with various DMX Controllers Firmware available for most DMX Controllers 																		
LCD Back Light	<ul style="list-style-type: none"> On Off after 10 sec. 																		
RDM State	<ul style="list-style-type: none"> On Off 																		
Dimming curve	<ul style="list-style-type: none"> Customized dimming steps are available 3-way Dimming curve select to mode button ➤ Linear type : Normal increase of lighting intensity ➤ Cube type : Detailed control in Low dimming area (0~50%) ➤ Root type : Detailed control in high dimming area (50~100%) <p style="text-align: center;">Dimming Curve</p>																		
Dimming Speed	<ul style="list-style-type: none"> Very fast Fast Medium Slow 																		

Lumos Hawk 150 series

➤ Ognisni določeni meri in vrednosti so navedeni v tabeli spodaj.

L nčdk	Ad i mf ld		0l	1l	2l	3l	4l	
Lumos Hawk 150F 150W	Spot (15°)	Illumination	3200K	48,737 lux	14,621 lux	6,498 lux	3,655 lux	2,339 lux
			5600K	58,020 lux	17,406 lux	7,736 lux	4,352 lux	2,785 lux
		Beam diameter		0.46 m	0.73 m	1.00 m	1.27 m	1.54 m
	Flood (50°)	Illumination	3200K	6,794 lux	2,038 lux	906 lux	510 lux	326 lux
			5600K	8,256 lux	2,477 lux	1,101 lux	619 lux	396 lux
		Beam diameter		1.13 m	2.06 m	3.00 m	3.95 m	4.87 m
Lumos Hawk 150MK 150W	Spot (15°)	Illumination	3200K	26,665 lux	8,000 lux	3,555 lux	2,000 lux	1,280 lux
			5600K	36,670 lux	11,001 lux	4,889 lux	2,750 lux	1,760 lux
		Beam diameter		0.46 m	0.73 m	1.00 m	1.27 m	1.54 m
	Flood (50°)	Illumination	3200K	6,115 lux	1,835 lux	815 lux	459 lux	294 lux
			5600K	7,723 lux	2,317 lux	1,030 lux	579 lux	371 lux
		Beam diameter		1.13 m	2.06 m	3.00 m	3.95 m	4.87 m

➤ Kl nr G` v j 04/ v lsg Onkd nodq sdc xnj d` mc Enbt r Onkd bnmsqk

Size	W364.6 * H446.3 * L353.0 (mm) / W14.36 * H22.44 * L13.90 (inch)
------	---

