

Lumos Hawk 300F

➤ Onv dqt k` r Rt rktf gs

- 2KW Tungsten output
- Hybrid cooling system
- CRI 97 Ra at 3200K / 95 Ra at 5600K
- 15°~50° Beam angle
- Flicker free
- Stable dimming (0~100%)
- Standard DMX 512 / RDM
- COB lifetime : 50,000 hours

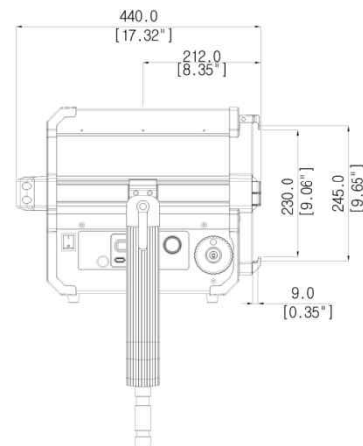
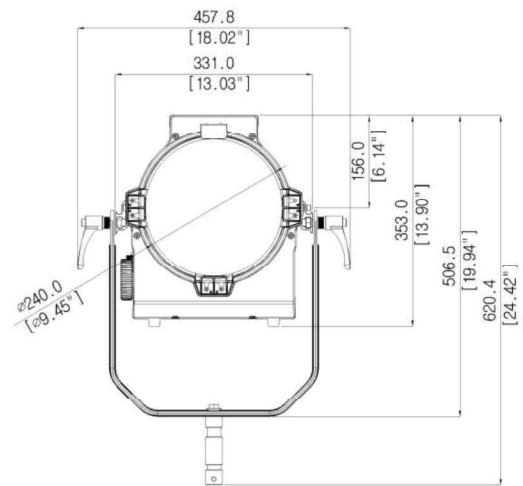


➤ Ognsl dsqjb hntd ` shmne K I nr G` v j 2 / E

CCT	Beam angle	4 ft	8 ft	12 ft	16 ft	20 ft	1m	2m	3m	4m	5m
3200K	Spot (15°)	12,961 fc	3,240 fc	1,440 fc	810 fc	518.4 fc	172,800 lux	51,800 lux	23,040 lux	12,960 lux	8,300 lux
	Flood (50°)	1,215 fc	303.7 fc	135 fc	75.9 fc	48.6 fc	16,200 lux	4,850 lux	2,160 lux	1,210 lux	780 lux
5600K	Spot (15°)	13,027.4 fc	3,256.8 fc	1,447.5 fc	814.2 fc	521.1 fc	173,700 lux	52,100 lux	23,160 lux	13,030 lux	8,340 lux
	Flood (50°)	1,282.5 fc	320.6 fc	142.5 fc	80.2 fc	51.2 fc	17,100 lux	5,120 lux	2,280 lux	1,280 lux	820 lux

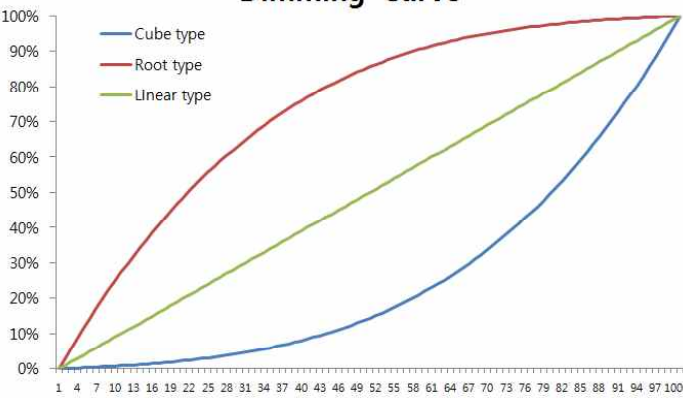
➤ K I nr G` v j 2 / E Rodbleb` snmr

Power Consumption	270W Nominal / 300W Maximum	
Size	W331 * H353 * L440 (mm) W13.03 * H13.90 * L17.32 (inch)	
Weight	10.0 kg / 22 lb	
Color Temperature	3200K or 5600K	
E Characteristics	AC 100~240V / 50~60Hz	
Dimming	0~100%	
Control	Manual / DMX 512 / RDM	
Flicker	Flicker free	
Fresnel lens	240mm (9.45") PMMA Fresnel lens	
Beam angle	15° ~ 50°	
Cooling system	Hybrid cooling system (fan)	
Operating Temp.	0°C ~ 45°C	
Accessory	<ul style="list-style-type: none"> • 4-leaf barndoor • Pole operated yoke (Panning / Tilting / Beam angle) • Diffusing filter 	
Color temperature	3200K	5600K
CCT Tolerance	±150K	±150K
CRI	97 Ra	95 Ra



Lumos Hawk 300 series

➤ L ncd

Mode	Function																		
Dimming	<ul style="list-style-type: none"> Stable Dimming (0~100%) Enable to customize the dimming step as each 1% or 4~5% 																		
CCT (MK Type only)	<ul style="list-style-type: none"> 2800~6500K (each 100K) <table border="1" data-bbox="979 430 1422 700"> <thead> <tr> <th colspan="3">CL WBBS Bnnsqku' k d</th> </tr> <tr> <th>CCT</th> <th>0~100%</th> <th>0~255</th> </tr> </thead> <tbody> <tr> <td>2800K</td> <td>0 %</td> <td>0</td> </tr> <tr> <td>3200K</td> <td>11~13 %</td> <td>28~34</td> </tr> <tr> <td>5600K</td> <td>77~79 %</td> <td>196~202</td> </tr> <tr> <td>6500K</td> <td>100 %</td> <td>255</td> </tr> </tbody> </table>	CL WBBS Bnnsqku' k d			CCT	0~100%	0~255	2800K	0 %	0	3200K	11~13 %	28~34	5600K	77~79 %	196~202	6500K	100 %	255
CL WBBS Bnnsqku' k d																			
CCT	0~100%	0~255																	
2800K	0 %	0																	
3200K	11~13 %	28~34																	
5600K	77~79 %	196~202																	
6500K	100 %	255																	
DMX Address	<ul style="list-style-type: none"> Change DMX address (1~512) Standard DMX 512 F type DMX mode using 1 channel (Ch.1 – Dimming) MK type DMX mode using 2 Channel (Ch. 1 – Dimming / Ch.2 – CCT) Compatibility with various DMX Controllers Firmware available for most DMX Controllers 																		
LCD Back Light	<ul style="list-style-type: none"> On Off after 10 sec. 																		
RDM State	<ul style="list-style-type: none"> On Off 																		
Dimming curve	<ul style="list-style-type: none"> Customized dimming steps are available 3-way Dimming curve select to mode button ➤ Linear type : Normal increase of lighting intensity ➤ Cube type : Detailed control in Low dimming area (0~50%) ➤ Root type : Detailed control in high dimming area (50~100%) <p style="text-align: center;">Dimming Curve</p> 																		
Dimming Speed	<ul style="list-style-type: none"> Very fast Fast Medium Slow 																		

Lumos Hawk 300 series

➤ cdbladkl d`rt opl dmsr ne Kl I nr G`v j 2// Rdqdr

Model	1m	2m	3m
Lumos Hawk 300 : 300W	28 dB	24 dB	22 dB

Gxaqtc bnnknf rxrsdl

The patented technology to improve air flow to cool down the heat created inside the product.

Usually the convection heat mode is at low dimming stage.

However fan will be turned on at certain dimming stage as below.

- Hawk 300 : Cube 86~100%, Linear 61~100%, Root 28~100%

➤ Ognsnl dsqfb lmqnd `shmmne Kl I nr G`v j 2// Rdqdr

L ncdk	Ad I `rf ld		0l	1l	2l	3l	4l	
Lumos Hawk 300F 270W	Spot (15°)	Illumination	3200K	172,800 lux	51,800 lux	23,040 lux	12,960 lux	8,300 lux
			5600K	173,700 lux	52,100 lux	23,160 lux	13,030 lux	8,340 lux
		Beam diameter		0.50 m	0.77 m	1.03 m	1.29 m	1.56 m
	Flood (50°)	Illumination	3200K	16,200 lux	4,850 lux	2,160 lux	1,210 lux	780 lux
			5600K	17,100 lux	5,120 lux	2,280 lux	1,280 lux	820 lux
		Beam diameter		1.17 m	2.10 m	3.04 m	3.97 m	4.90 m
Lumos Hawk 300MK 270W	Spot (15°)	Illumination	3200K	78,300 lux	23,500 lux	10,440 lux	5,870 lux	3,760 lux
			5600K	97,600 lux	29,300 lux	13,010 lux	7,320 lux	4,680 lux
		Beam diameter		0.50 m	0.77 m	1.03 m	1.29 m	1.56 m
	Flood (50°)	Illumination	3200K	12,500 lux	3,760 lux	1,670 lux	940 lux	600 lux
			5600K	15,500 lux	4,660 lux	2,070 lux	1,170 lux	750 lux
		Beam diameter		1.17 m	2.10 m	3.04 m	3.97 m	4.90 m

Lumos Hawk 300 series with Pole operating system

➤ **К I nr G` v j 2 / / v lsg Onkd nodq` sdc xnj d ` mc Enbt r Onkd bnmsqk**

Size	W407.0 * H646.6 * L440.0 (mm) / W16.02 * H25.46 * L17.32 (inch)
------	---

