

Lumos 500GT-MK

➤ LED light for the field & studio

- Flicker Free
- Stable dimming (0%~100%)
- Standard DMX 512
- 12~24V DC
- Supports Anton Bauer(Gold-mount) or V-mount Battery
- Adjustable color Temperature (3200~5600K / 2800~6500K)

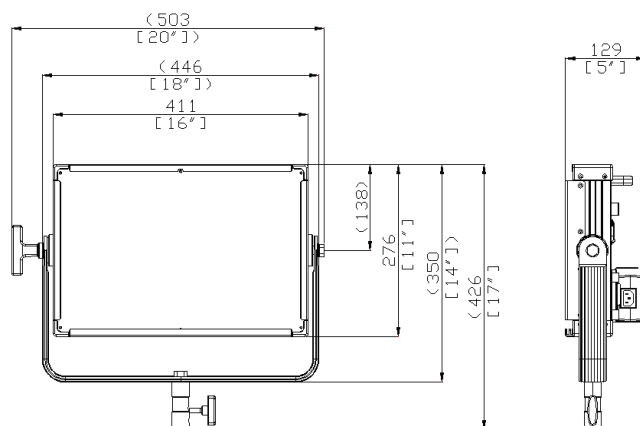


➤ Photometric information of Lumos 500GT-MK

CCT	LED option	4 ft	8 ft	12 ft	16 ft	20 ft	1m	2m	3m	4m	5m
3200K	Without lens (85°)	221.9 fc	58.8 fc	26.1 fc	14.7 fc	11.0 fc	3550 lux	941 lux	418 lux	235 lux	176 lux
	With lens (55°)	355.0 fc	94.1 fc	41.8 fc	23.5 fc	17.6 fc	5680 lux	1505 lux	669 lux	376 lux	282 lux
	With lens (40°)	718.7 fc	179.7 fc	79.9 fc	44.9 fc	28.7 fc	11500 lux	2875 lux	1278 lux	719 lux	460 lux
5600K	Without lens (85°)	243.7 fc	64.6 fc	28.7 fc	16.1 fc	11.8 fc	3900 lux	1034 lux	459 lux	258 lux	190 lux
	With lens (55°)	390.0 fc	103.3 fc	45.9 fc	25.8 fc	18.9 fc	6240 lux	1654 lux	735 lux	413 lux	303 lux
	With lens (40°)	781.2 fc	195.3 fc	86.8 fc	48.8 fc	31.2 fc	12500 lux	3125 lux	1389 lux	781 lux	500 lux

➤ Lumos 500GT-MK Specifications

Power Consumption	120W Nominal / 140W Maximum	
Size	W411 * H276 * L129 (mm) / W16.2 * H10.8 * L5.1 (inch)	
Weight	6.0 kg / 13.2 lb	
Color Temperature	3200~5600K / 2800~6500K	
E. Characteristics	AC 100~240V / 50~60Hz	
Input Voltage	12~24V DC (Free volt)	
Dimming	0~100% Manual / DMX 512	
Color Control	Manual / DMX512	
Flicker	Flicker free	
Operating Temp.	0°C ~ 45°C	
Accessory	4-leaf barndoor Diffusing filter V-mount battery bracket Gold-mount battery bracket Honeycomb Grid Pole operated yoke	
Color temperature	3200K	5600K
CCT Tolerance	±150K	±150K
CRI	97 Ra	95 Ra



Lumos GT series

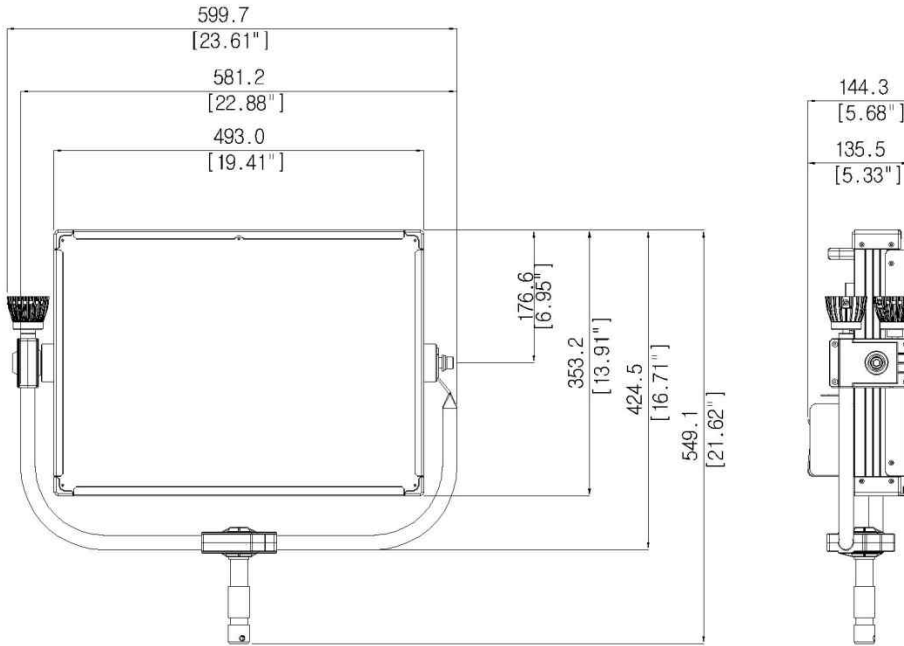
➤ Photometric information of Lumos GT Series

Model	Beam angle			1m	2m	3m	4m	5m
Lumos 700GT 200W Nominal 230W Max.	No lens (85°)	Illumination	3200K	5,900 lux	1,564 lux	695 lux	391 lux	295 lux
			5600K	6,500 lux	1,723 lux	766 lux	431 lux	330 lux
		Beam diameter	Width	2.32 m	4.15 m	5.98 m	7.81 m	9.65 m
			Height	2.18 m	4.01 m	5.84 m	7.67 m	9.51 m
	Lens (55°)	Illumination	3200K	9,440 lux	2,502 lux	1,112 lux	625 lux	472 lux
			5600K	10,400 lux	2,756 lux	1,225 lux	689 lux	528 lux
		Beam diameter	Width	1.52 m	2.57 m	3.61 m	4.65 m	5.69 m
			Height	1.39 m	2.42 m	3.47 m	4.51 m	5.51 m
	Lens (40°)	Illumination	3200K	17,500 lux	4,375 lux	1,944 lux	1,094 lux	700 lux
			5600K	19,000 lux	4,750 lux	2,111 lux	1,188 lux	760 lux
		Beam diameter	Width	1.21 m	1.94 m	2.67 m	3.40 m	4.12 m
			Height	1.07 m	1.80 m	2.53 m	3.26 m	3.98 m
Lumos 500GT 120W Nominal 140W Max.	No lens (85°)	Illumination	3200K	3,550 lux	941 lux	418 lux	235 lux	176 lux
			5600K	3,900 lux	1,034 lux	459 lux	258 lux	190 lux
		Beam diameter	Width	2.23 m	4.06 m	5.90 m	7.73 m	9.56 m
			Height	2.10 m	3.93 m	5.76 m	7.59 m	9.43 m
	Lens (55°)	Illumination	3200K	5,680 lux	1,505 lux	669 lux	376 lux	282 lux
			5600K	6,240 lux	1,654 lux	735 lux	413 lux	303 lux
		Beam diameter	Width	1.44 m	2.48 m	3.48 m	4.52 m	5.60 m
			Height	1.30 m	2.35 m	3.39 m	4.43 m	5.47 m
	Lens (40°)	Illumination	3200K	11,500 lux	2,875 lux	1,278 lux	719 lux	460 lux
			5600K	12,500 lux	3,125 lux	1,389 lux	781 lux	500 lux
		Beam diameter	Width	1.13 m	1.85 m	2.58 m	3.31 m	4.04 m
			Height	0.99 m	1.72 m	2.45 m	3.18 m	3.90 m

Lumos GT series

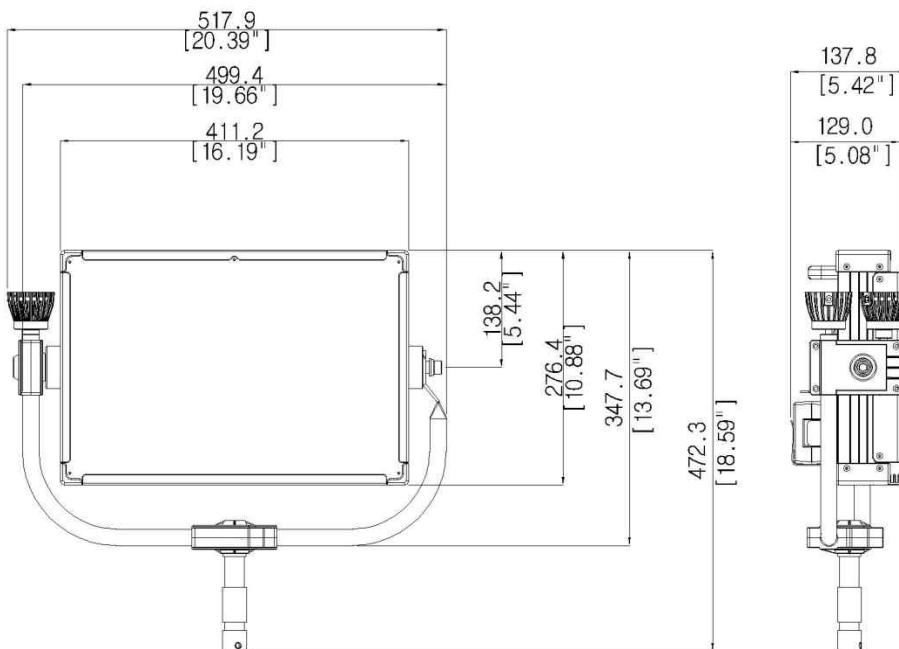
➤ Lumos 700GT with Pole operated yoke

Size	W599.7 * H549.1 * L144.3 (mm) / W23.6 * H21.6 * L5.7 (inch)
------	---



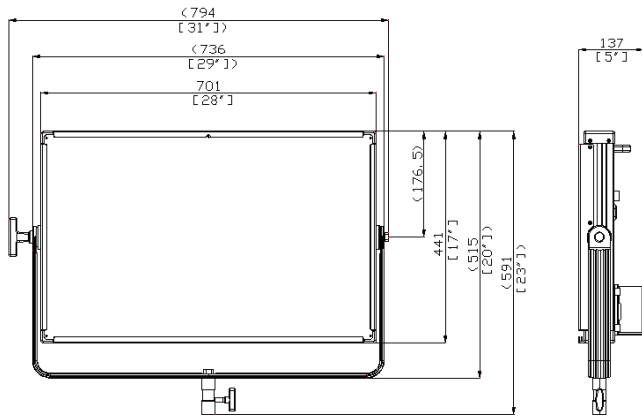
➤ Lumos 500GT with Pole operated yoke

Size	W517.9 * H472.3 * L137.8 (mm) / W20.4 * H18.6 * L5.4 (inch)
------	---



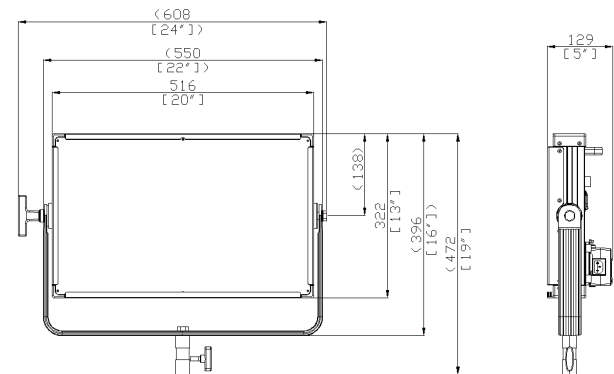
Lumos GT Base Series

➤ Lumos 700GT Base Specifications



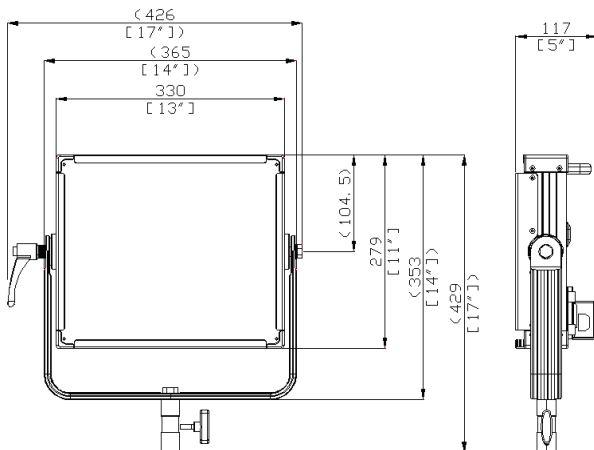
Power Consumption	200W	
Size	W701 * H441 * L137 (mm) / W27.6 * H17.4 * L5.4 (inch)	
Weight	10.5 kg / 23.1 lb	
Color Temperature	3200K ~ 5600K	
E. Characteristics	AC 100~240V / 50~60Hz	
Input Voltage	12~24V DC (Free volt)	
Dimming	0~100% Manual / DMX 512	
Color Control	Manual / DMX 512	
Flicker	Flicker free	
Operating Temp.	0°C ~ 45°C	
Color temperature	3200K	5600K
CCT (1m / 4ft)	5900 lux / 368.7 fc	6500 lux / 406.2 fc
CCT Tolerance	±150K	±150K
CRI	97 Ra	95 Ra

➤ Lumos 500GT Base Specifications



Power Consumption	120W	
Size	W516 * H322 * L129 (mm) / W20.3 * H12.6 * L5 (inch)	
Weight	8 kg / 17.6 lb	
Color Temperature	3200K ~ 5600K	
E. Characteristics	AC 100~240V / 50~60Hz	
Input Voltage	12~24V DC (Free volt)	
Dimming	0~100% Manual / DMX 512	
Color Control	Manual / DMX 512	
Flicker	Flicker free	
Battery	V-mount battery / Gold-mount battery	
Operating Temp.	0°C ~ 45°C	
Color temperature	3200K	5600K
CCT (1m / 4ft)	3550 lux / 212.9 fc	3900 lux / 243.7 fc
CCT Tolerance	±150K	±150K
CRI	97 Ra	95 Ra

➤ Lumos 300GT Base Specifications



Power Consumption	50W	
Size	W330 * H279 * L117 (mm) / W13 * H11 * L4.6 (inch)	
Weight	5 kg / 11 lb	
Color Temperature	3200K ~ 5600K	
E. Characteristics	AC 100~240V / 50~60Hz	
Input Voltage	12~24V DC (Free volt)	
Dimming	0~100% Manual / DMX 512	
Color Control	Manual / DMX 512	
Battery	V-mount battery / Gold-mount battery	
Flicker	Flicker free	
Operating Temp.	0°C ~ 45°C	
Color temperature	3200K	5600K
CCT (1m / 4ft)	1340 lux / 83.6 fc	1540 lux / 96.5 fc
CCT Tolerance	±150K	±150K
CRI	97 Ra	95 Ra