

Lumos Hawk 50F

➤ Small and Quiet Fresnel Light

- No fan / No noise (Convective heat transfer)
- CRI 97 Ra at 3200K / 95 Ra at 5600K
- 400W Output
- 12~24V DC Free volt
- Compatible with wide range of batteries
- 15°~50° Beam angle
- Flicker free
- Stable dimming (0~100%)
- Standard DMX 512
- Suitable for the field and small studio

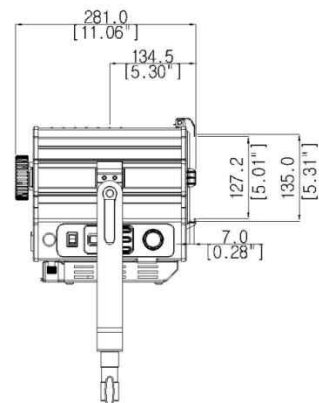
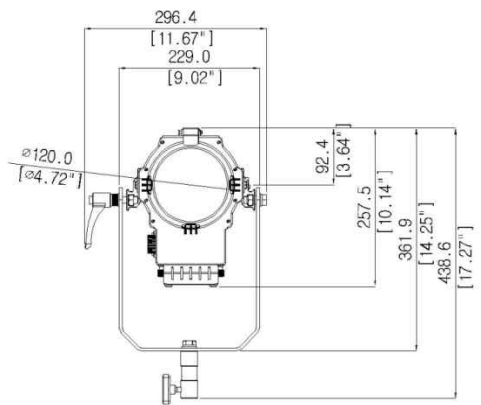


➤ Photometric information of Lumos Hawk 50F

| CCT | Beam angle | 4 ft | 8 ft | 12 ft | 16 ft | 20 ft | 1m | 2m | 3m | 4m | 5m |
|-------|-------------|----------|--------|--------|--------|-------|------------|-----------|-----------|-----------|-----------|
| 3200K | Spot (15°) | 1,281 Fc | 362 Fc | 170 Fc | 98 Fc | 64 Fc | 20,500 lux | 5,791 lux | 2,733 lux | 1,576 lux | 1,025 lux |
| | Flood (50°) | 345 Fc | 97 Fc | 46 Fc | 26 Fc | 17 Fc | 5,530 lux | 1,562 lux | 737 lux | 426 lux | 277 lux |
| 5600K | Spot (15°) | 1,375 Fc | 388 Fc | 183 Fc | 105 Fc | 68 Fc | 22,000 lux | 6,215 lux | 2,933 lux | 1,691 lux | 1,100 lux |
| | Flood (50°) | 373 Fc | 105 Fc | 49 Fc | 28 Fc | 19 Fc | 5,970 lux | 1,687 lux | 796 lux | 459 lux | 299 lux |

➤ Lumos Hawk 50F Specifications

| | | |
|--------------------|--|-------|
| Power Consumption | Max. 50W | |
| Size | W229 * H258 * L281 (mm) W9.0 * H10.2 * L11.1 (inch) | |
| Weight | 4 kg / 8.8 lb | |
| Color Temperature | 3200K or 5600K | |
| E. Characteristics | AC 100~240V / 50~60Hz | |
| Input Voltage | 12~24V DC (Free volt) | |
| Dimming | 0~100% Manual / DMX 512 | |
| Flicker | Flicker free | |
| Fresnel lens | 120mm (4.72") PMMA Fresnel lens | |
| Beam angle | 15° ~ 50° | |
| Cooling system | Natural convection (No fan) | |
| Operating Temp. | 0°C ~ 45°C | |
| Accessory | <ul style="list-style-type: none"> • V-mount / G-mount bracket • 4-leaf barndoor • Pole operated yoke (Panning / Tilting) • Diffusing filter | |
| Color temperature | 3200K | 5600K |
| CCT Tolerance | ±150K | ±150K |
| CRI | 97 Ra | 95 Ra |



Lumos Hawk

➤ decibel measurements of Lumos Hawk Series

| Model | 1m | 2m | 3m |
|--------------------------------------|-------|-------|-------|
| Lumos Hawk 400 400W | 28 dB | 24 dB | 22 dB |
| Lumos Hawk 200 / 200A 200W / 220W | 21 dB | 19 dB | 18 dB |
| Lumos Hawk 100 100W | 20 dB | 19 dB | 18 dB |

Hybrid cooling system

The patented technology to improve air flow to cool down the heat created inside the product.

Usually the convection heat mode is at low dimming stage.

However fan will be turned on at certain dimming stage as below.

- Hawk 400 : Cube 86~100%, Linear 61~100%, Root 28~100%
- Hawk 200 : Cube 93~100%, Linear 76~100%, Root 39~100%
- Hawk 100 : Cube 80~100%, Linear 51~100%, Root 22~100%

➤ Mode

| Mode | Function |
|------------------|--|
| Dimming | <ul style="list-style-type: none"> • Stable Dimming (0~100%) • Enable to customize the dimming step as each 1% or 4~5% |
| Dimming curve | <ul style="list-style-type: none"> • Customized dimming steps are available • 3-way Dimming curve select to mode button <ul style="list-style-type: none"> ➤ Linear type : Normal increase of lighting intensity ➤ Cube type : Detailed control in Low dimming area (0~50%) ➤ Root type : Detailed control in high dimming area (50~100%) <div style="text-align: center;"> <p>Dimming Curve</p> </div> |
| DMX channel | <ul style="list-style-type: none"> • Standard DMX 512 • Compatibility with various DMX Controllers • Firmware available for most DMX Controllers • Change DMX channel (1~512) |
| 12~24V Free volt | <ul style="list-style-type: none"> • Compatible with wide range of batteries. • V-mount battery or Gold-mount battery |

Lumos Hawk

➤ Photometric information of Lumos Hawk Series (F type)

| Model | Beam angle | | | 1m | 2m | 3m | 4m | 5m |
|-------------------------|------------|---------------|-------|-------------|------------|------------|------------|-----------|
| Lumos Hawk 400F 400W | Spot (15°) | Illumination | 3200K | 185,995 lux | 49,285 lux | 21,905 lux | 12,320 lux | 7,885 lux |
| | | | 5600K | 205,195 lux | 54,375 lux | 24,165 lux | 13,590 lux | 8,700 lux |
| | | Beam diameter | | 0.50 m | 0.77 m | 1.03 m | 1.29 m | 1.56 m |
| | Flood 50° | Illumination | 3200K | 25,780 lux | 6,830 lux | 3,035 lux | 1,705 lux | 1,090 lux |
| | | | 5600K | 28,485 lux | 7,545 lux | 3,355 lux | 1,885 lux | 1,205 lux |
| | | Beam diameter | | 1.17 m | 2.10 m | 3.04 m | 3.97 m | 4.90 m |
| Lumos Hawk 200F 200W | Spot (15°) | Illumination | 3200K | 51,420 lux | 14,526 lux | 6,856 lux | 3,953 lux | 2,571 lux |
| | | | 5600K | 61,850 lux | 17,520 lux | 8,190 lux | 4,725 lux | 3,048 lux |
| | | Beam diameter | | 0.46 m | 0.73 m | 1.00 m | 1.27 m | 1.54 m |
| | Flood 50° | Illumination | 3200K | 8,205 lux | 2,318 lux | 1,094 lux | 631 lux | 410 lux |
| | | | 5600K | 11,120 lux | 2,580 lux | 1,386 lux | 769 lux | 485 lux |
| | | Beam diameter | | 1.13 m | 2.06 m | 3.00 m | 3.95 m | 4.87 m |
| Lumos Hawk 200A 220W | Spot (15°) | Illumination | 3200K | 61,704 lux | 17,431 lux | 8,227 lux | 4,744 lux | 3,085 lux |
| | | | 5600K | 74,220 lux | 21,024 lux | 9,828 lux | 5,670 lux | 3,658 lux |
| | | Beam diameter | | 0.46 m | 0.73 m | 1.00 m | 1.27 m | 1.54 m |
| | Flood 50° | Illumination | 3200K | 11,979 lux | 3,384 lux | 1,597 lux | 921 lux | 599 lux |
| | | | 5600K | 16,235 lux | 3,767 lux | 2,024 lux | 1,123 lux | 708 lux |
| | | Beam diameter | | 1.13 m | 2.06 m | 3.00 m | 3.95 m | 4.87 m |
| Lumos Hawk 150F 150W | Spot (15°) | Illumination | 3200K | 44,100 lux | 12,458 lux | 5,880 lux | 3,390 lux | 2,205 lux |
| | | | 5600K | 52,500 lux | 14,831 lux | 7,000 lux | 4,036 lux | 2,625 lux |
| | | Beam diameter | | 0.46 m | 0.73 m | 1.00 m | 1.27 m | 1.54 m |
| | Flood 50° | Illumination | 3200K | 6,740 lux | 1,904 lux | 899 lux | 518 lux | 337 lux |
| | | | 5600K | 8,190 lux | 2,314 lux | 1,092 lux | 630 lux | 410 lux |
| | | Beam diameter | | 1.13 m | 2.06 m | 3.00 m | 3.95 m | 4.87 m |
| Lumos Hawk 100F 100W | Spot (15°) | Illumination | 3200K | 28,930 lux | 8,173 lux | 3,857 lux | 2,224 lux | 1,447 lux |
| | | | 5600K | 34,208 lux | 9,664 lux | 4,561 lux | 2,630 lux | 1,710 lux |
| | | Beam diameter | | 0.38 m | 0.65 m | 0.91 m | 1.17 m | 1.44 m |
| | Flood 50° | Illumination | 3200K | 5,830 lux | 1,647 lux | 777 lux | 448 lux | 292 lux |
| | | | 5600K | 6,210 lux | 1,754 lux | 828 lux | 477 lux | 311 lux |
| | | Beam diameter | | 1.05 m | 1.99 m | 2.92 m | 3.85 m | 4.78 m |
| Lumos Hawk 50F 50W | Spot (15°) | Illumination | 3200K | 20,500 lux | 5,791 lux | 2,733 lux | 1,576 lux | 1,025 lux |
| | | | 5600K | 22,000 lux | 6,215 lux | 2,933 lux | 1,691 lux | 1,100 lux |
| | | Beam diameter | | 0.38 m | 0.65 m | 0.91 m | 1.17 m | 1.44 m |
| | Flood 50° | Illumination | 3200K | 5,530 lux | 1,562 lux | 737 lux | 426 lux | 277 lux |
| | | | 5600K | 5,970 lux | 1,687 lux | 796 lux | 459 lux | 299 lux |
| | | Beam diameter | | 1.05 m | 1.99 m | 2.92 m | 3.85 m | 4.78 m |