

Lumos Hawk 200C (RGBW)

➤ Powerful Fresnel Light

- 1.5KW Tungsten output
- Hybrid cooling system
- 15°~45° Beam angle
- Flicker free
- Stable dimming (0~100%)
- Standard DMX 512
- COB lifetime : 50,000 hours

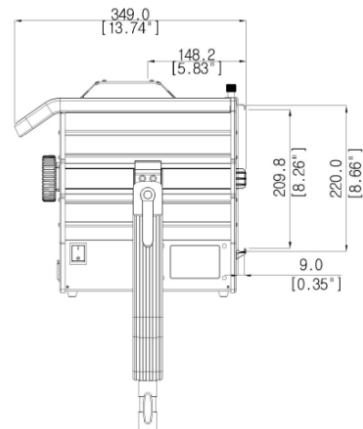
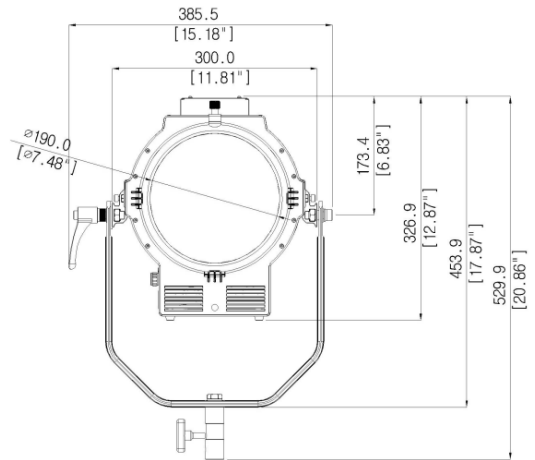


➤ Photometric information of Lumos Hawk 200C (RGBW)

CCT	Beam angle	4 ft	8 ft	12 ft	16 ft	20 ft	1m	2m	3m	4m	5m
3200K	Spot (15°)	4814 fc	1203 fc	535 fc	301 fc	193 fc	64,187 lux	19,256 lux	8,558 lux	4,814 lux	3,081 lux
	Flood (45°)	346 fc	86 fc	38 fc	22 fc	14 fc	4,607 lux	1,382 lux	614 lux	346 lux	221 lux
5600K	Spot (15°)	5731 fc	1433 fc	637 fc	358 fc	229 fc	76,413 lux	22,924 lux	10,188 lux	5,731 lux	3,668 lux
	Flood (45°)	420 fc	105 fc	47 fc	26 fc	17 fc	5,599 lux	1,680 lux	747 lux	420 lux	269 lux

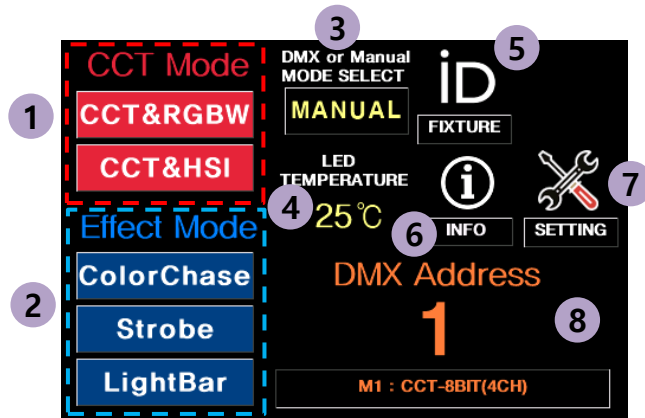
➤ Lumos Hawk 200C (RGBW) Specifications

Max. Power (LED Source)	Red : 66.6 W Green : 79.2 W Blue : 91.2 W White : 154.8 W	
LED Source	RGBW CSP LED	
Size	W300 * H374 * L349 (mm) W11.81 * H14.70 * L13.74 (inch)	
Weight	8.5 kg / 18.7 lb	
Color Temperature	2800~10000K / Green-Magenta adjustable	
Colored Light	Full RGB, White color / Hue and Saturation control	
E. Characteristics	AC 100~240V / 50~60Hz	
Dimming	0~100%	
Control	Manual / DMX 512	
Flicker	Flicker free	
Fresnel lens	190mm (7.47") PMMA Fresnel lens	
Beam angle	15° ~ 45°	
Cooling system	Hybrid cooling system (fan)	
Operating Temp.	0°C ~ 45°C	
Accessory	<ul style="list-style-type: none"> • 4-leaf barndoor • Pole operated yoke (Panning / Tilting) • Diffusing filter 	
Color Temperature	3200K	5600K
CCT Tolerance	±150K	±150K
CRI	92 Ra	92 Ra
Luminous flux	5,215 lumen	5,260 lumen



Lumos Hawk 200C (RGBW)

➤ Mode



NO.	Display	Function
1	CCT Mode	<ul style="list-style-type: none"> • CCT & RGBW mode - CCT 2800K~10000K / Green-Magenta GN -0.030~+0.030 Control - Change mode by Mixing button - Red / Green / Blue / White LED 0~100% Control
		<ul style="list-style-type: none"> • CCT & HSI mode - CCT 2800K~10000K control / Green-Magenta GN -0.030~+0.030 Control - Change mode by Mixing button - HUE 0°~360° / Saturation 0~100% control
2	Effect Mode	<ul style="list-style-type: none"> • Color chase - Color change Speed 0~100% / Saturation 0~100% Control
		<ul style="list-style-type: none"> • Strobe - CCT 2800K~10000K / Flash speed 0~100% control
		<ul style="list-style-type: none"> • Light bar - Select Flash color (Red / Green / Blue / White) - Select flash type (Single / Double / Triple / Triple all / Cycle)
3	DMX or Manual MODE SELECT	<ul style="list-style-type: none"> • DMX mode or Manual mode select button
4	LED TEMPERATURE	<ul style="list-style-type: none"> • Display LED Temperature
5	FIXTURE	<ul style="list-style-type: none"> • Display Fixture ID (No.) and Change the Fixture ID
6	INFO	<ul style="list-style-type: none"> • Display status and information - LED PCB temperature - Fan status and input Voltage - Firmware version and date
7	Setting	<ul style="list-style-type: none"> • Dimming Speed Setting (Very Fast / Fast / Medium / Slow) • LCD Brightness (0%~100%) • Fan control - Fan Auto on (Automatic fan with variable speed) - Fan High (Full speed) / Fan Middle (Speed 50%) / Fan Low (Speed 30%) / Fan off
8	DMX Address	<ul style="list-style-type: none"> • Change DMX address (1~512) • Change DMX protocol - M1 : CCT / M2 : HSI / M3 : RGBW / M4 : CCT&RGBW / M5 : CCT&HSI / M6 : EFFECT

Lumos Hawk 200C (RGBW)

➤ decibel measurements of Lumos Hawk 200 Series

Model	1m	2m	3m
Lumos Hawk 200	21 dB	19 dB	18 dB

Hybrid cooling system

The patented technology to improve air flow to cool down the heat created inside the product.

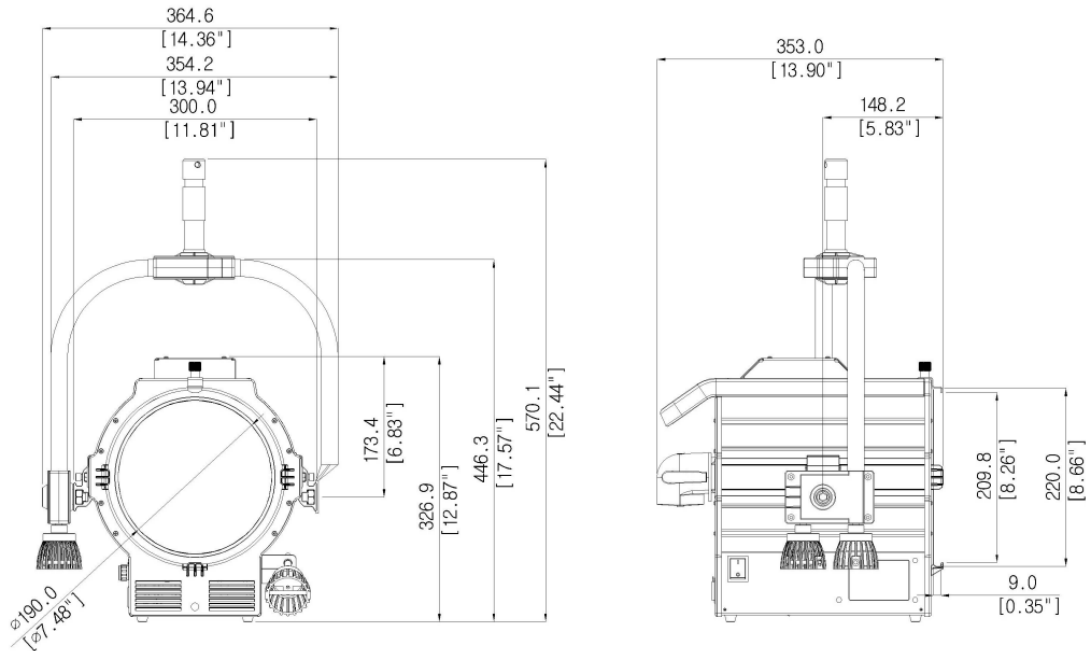
Usually the convection heat mode is at low dimming stage.

However fan will be turned on at certain dimming stage as below.

- Hawk 200 : Cube 93~100%, Linear 76~100%, Root 39~100%

➤ Lumos Hawk 200 with Pole operated yoke and Focus Pole control

Size	W364.6 * H570.1 * L353.0 (mm) / W14.36 * H22.44 * L13.90 (inch)
------	---



➤ Photometric information of Lumos Hawk 200 Series

Model	Beam angle		1m	2m	3m	4m	5m	
Lumos Hawk 200C	Spot (15°)	Illumination	3200K	64,187 lux	19,256 lux	8,558 lux	4,814 lux	3,081 lux
			5600K	76,413 lux	22,924 lux	10,188 lux	5,731 lux	3,668 lux
		Beam diameter		0.46 m	0.73 m	1.00 m	1.27 m	1.54 m
	Flood (45°)	Illumination	3200K	4,607 lux	1,382 lux	614 lux	346 lux	221 lux
			5600K	5,599 lux	1,680 lux	747 lux	420 lux	269 lux
		Beam diameter		1.02 m	1.85 m	2.68 m	3.50 m	4.33 m