

Lumos 300GT-MK

➤ LED light for the field & studio

- Flicker Free
- Stable dimming (0%~100%)
- Standard DMX 512
- 12~24V DC
- Supports Anton Bauer(Gold-mount) or V-mount Battery
- Adjustable color Temperature (3200~5600K / 2800~6500K)

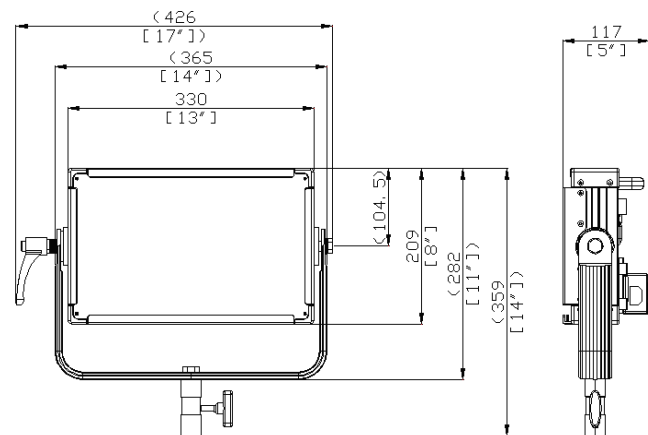


➤ Photometric information of Lumos 300GT-MK

CCT	LED option	4 ft	8 ft	12 ft	1m	2m	3m
3200K	Without lens (85°)	83.6 fc	25.2 fc	11.1 fc	1340 lux	400 lux	180 lux
	With lens (55°)	125.5 fc	35.7 fc	15.8 fc	2010 lux	570 lux	250 lux
	With lens (40°)	281.2 fc	70.3 fc	31.2 fc	4500 lux	1125 lux	500 lux
5600K	Without lens (85°)	96.5 fc	28.5 fc	12.6 fc	1540 lux	450 lux	200 lux
	With lens (55°)	144.8 fc	40.5 fc	17.9 fc	2310 lux	650 lux	280 lux
	With lens (40°)	318.7 fc	79.7 fc	35.4 fc	5100 lux	1275 lux	567 lux

➤ Lumos 300GT-MK Specifications

Power Consumption	50W	
Size	W330 * H209 * L117 (mm) / W13 * H8 * L4.6 (inch)	
Weight	4.5 kg / 10 lb	
Color Temperature	3200~5600K / 2800~6500K	
E. Characteristics	AC 100~240V / 50~60Hz	
Input Voltage	12~24V DC (Free volt)	
Dimming	0~100% Manual / DMX 512	
Color Control	Manual / DMX512	
Flicker	Flicker free	
Operating Temp.	0°C ~ 45°C	
Accessory	4-leaf barndoor Diffusing filter V-mount battery bracket Gold-mount battery bracket Honeycomb Grid	
Color temperature	3200K	5600K
CCT Tolerance	±150K	±150K
CRI	97 Ra	95 Ra



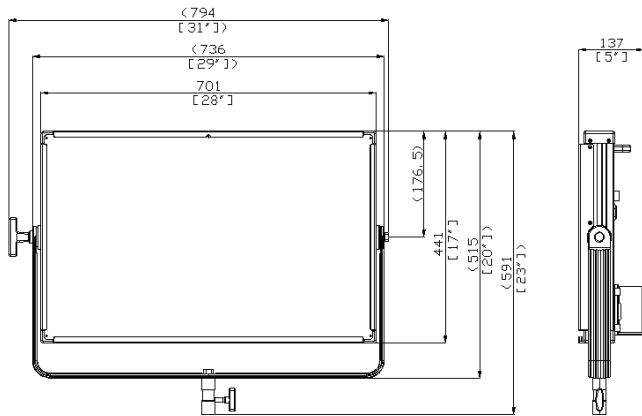
Lumos GT series

➤ Photometric information of Lumos GT Series

Model	Beam angle			1m	2m	3m
Lumos 300GT 50W	No lens (85°)	Illumination	3200K	1,340 lux	400 lux	180 lux
			5600K	1,540 lux	450 lux	200 lux
		Beam diameter	Width	2.15 m	3.98 m	5.82 m
			Height	2.03 m	3.86 m	5.69 m
	Lens (55°)	Illumination	3200K	2,010 lux	570 lux	250 lux
			5600K	2,310 lux	650 lux	280 lux
		Beam diameter	Width	1.37 m	2.43 m	3.48 m
			Height	1.24 m	2.28 m	3.32 m
	Lens (40°)	Illumination	3200K	4,500 lux	1,125 lux	500 lux
			5600K	5,100 lux	1,275 lux	567 lux
		Beam diameter	Width	1.05 m	1.77 m	2.50 m
			Height	0.92 m	1.65 m	2.38 m
Lumos 200GT 30W	No lens (85°)	Illumination	3200K	970 lux	255 lux	110 lux
			5600K	1,070 lux	280 lux	125 lux
		Beam diameter	Width	2.13 m	3.96 m	5.79 m
			Height	2.00 m	3.84 m	5.70 m
	Lens (55°)	Illumination	3200K	1,550 lux	410 lux	180 lux
			5600K	1,712 lux	450 lux	200 lux
		Beam diameter	Width	1.35 m	2.40 m	3.46 m
			Height	1.21 m	2.25 m	3.29 m

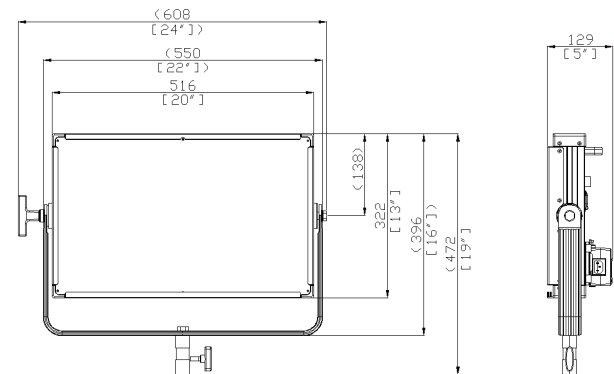
Lumos GT Base Series

➤ Lumos 700GT Base Specifications



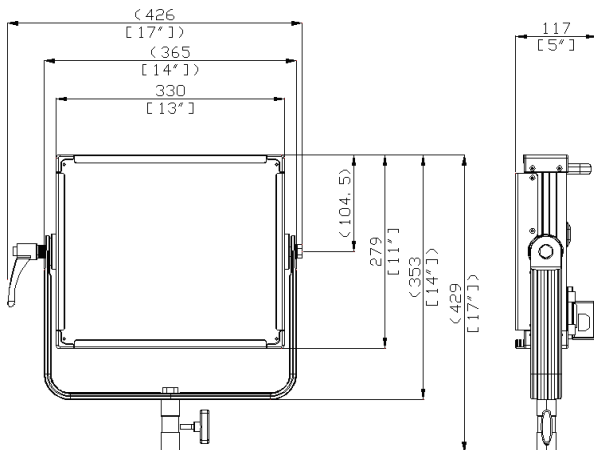
Power Consumption	200W	
Size	W701 * H441 * L137 (mm) / W27.6 * H17.4 * L5.4 (inch)	
Weight	10.5 kg / 23.1 lb	
Color Temperature	3200K ~ 5600K	
E. Characteristics	AC 100~240V / 50~60Hz	
Input Voltage	12~24V DC (Free volt)	
Dimming	0~100% Manual / DMX 512	
Color Control	Manual / DMX 512	
Flicker	Flicker free	
Operating Temp.	0°C ~ 45°C	
Color temperature	3200K	5600K
CCT (1m / 4ft)	5900 lux / 368.7 fc	6500 lux / 406.2 fc
CCT Tolerance	±150K	±150K
CRI	97 Ra	95 Ra

➤ Lumos 500GT Base Specifications



Power Consumption	120W	
Size	W516 * H322 * L129 (mm) / W20.3 * H12.6 * L5 (inch)	
Weight	8 kg / 17.6 lb	
Color Temperature	3200K ~ 5600K	
E. Characteristics	AC 100~240V / 50~60Hz	
Input Voltage	12~24V DC (Free volt)	
Dimming	0~100% Manual / DMX 512	
Color Control	Manual / DMX 512	
Flicker	Flicker free	
Battery	V-mount battery / Gold-mount battery	
Operating Temp.	0°C ~ 45°C	
Color temperature	3200K	5600K
CCT (1m / 4ft)	3550 lux / 212.9 fc	3900 lux / 243.7 fc
CCT Tolerance	±150K	±150K
CRI	97 Ra	95 Ra

➤ Lumos 300GT Base Specifications



Power Consumption	50W	
Size	W330 * H279 * L117 (mm) / W13 * H11 * L4.6 (inch)	
Weight	5 kg / 11 lb	
Color Temperature	3200K ~ 5600K	
E. Characteristics	AC 100~240V / 50~60Hz	
Input Voltage	12~24V DC (Free volt)	
Dimming	0~100% Manual / DMX 512	
Color Control	Manual / DMX 512	
Battery	V-mount battery / Gold-mount battery	
Flicker	Flicker free	
Operating Temp.	0°C ~ 45°C	
Color temperature	3200K	5600K
CCT (1m / 4ft)	1340 lux / 83.6 fc	1540 lux / 96.5 fc
CCT Tolerance	±150K	±150K
CRI	97 Ra	95 Ra